

EAST LINEAR

Vessel Sink / Bar Faucet **1508**

Features

- Solid brass construction
- Spout assembly with integral supply hoses
- Euro-motion ceramic disc 40mm valve cartridge
- ADA compliant handle
- 7-5/16" (18.6 cm) spout height at outlet
- 4" (10.2 cm) spout reach (c-c)
- 1.5 gallons (5.7 liters) per minute maximum flow rate

Codes / Standards Compliance

Meets or exceeds the following at date of manufacture:

- ASME A112.18.1/CSA B125.1
- IAPMO/UPC
- IPC
- NSF 61
- ADA
- ICC/ANSI A117.1
- Energy Policy Act of 1992
- All applicable US Federal and State material regulations



Colors / Finishes

- 10B: Oil Rubbed Bronze
- 15: Polished Nickel
- 15S: Satin Nickel
- 26: Polished Chrome
- Other: Refer to the Newport Brass catalog for additional color/finish options.

Specified Model

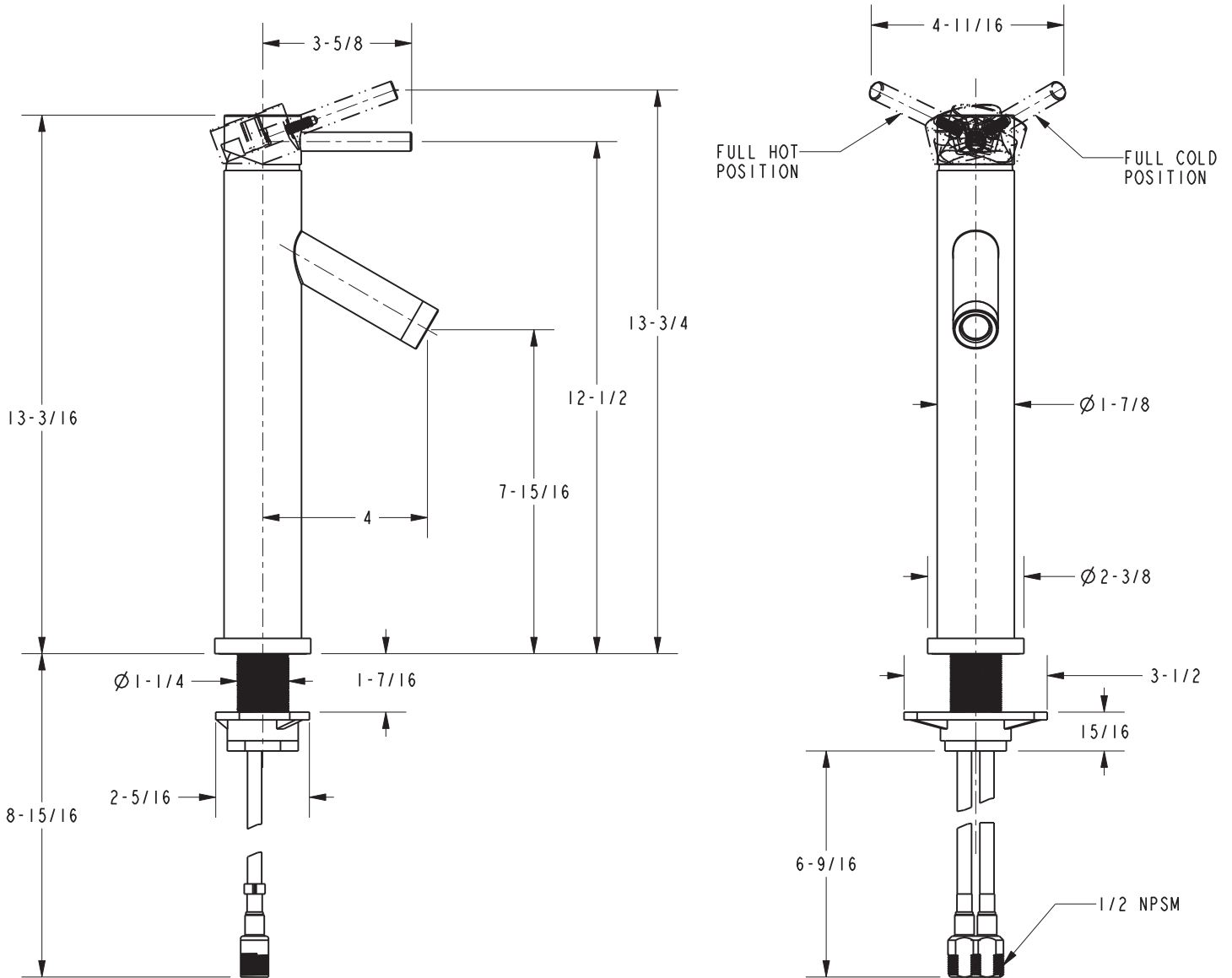
Model	Description	Colors / Finishes
1508	Vessel Sink / Bar Faucet	<input type="checkbox"/> 10B <input type="checkbox"/> 15 <input type="checkbox"/> 15S <input type="checkbox"/> 26 <input type="checkbox"/> Other

Product Specification:

Add "Color / Finish" suffix to Model number, below.

The Vessel Sink / Bar Faucet shall be of solid brass construction. Faucet shall feature a spout assembly having integral supply hoses and a Euro-motion ceramic disc 40mm valve cartridge. Vessel Sink / Bar Faucet shall have 1.5 gallons (5.7 L) per minute maximum flow rate. Product shall have 7-5/16" (18.6 cm) spout height at outlet, 4" (10.2 cm) spout reach (c-c) and incorporate an ADA compliant handle. Single Hole Lavatory Faucet shall be Newport Brass Model 1508/____.

Product Dimensions (units are in inches)



East Linear Vessel Sink / Bar Faucet
1508

page 2 of 2 spec_1508

NEWPORT BRASS
 Flawless Beauty. From Faucet to Finish.™

t: 949.417.5207 | www.newportbrass.com