

# TSP140 SPECIFICATIONS

## pure·1 deck-mounted basin mixer

### FEATURES:

- Three-hole deck-mounted basin mixer with goose-neck swiveling spout
- Durable finish and sleek design
- Brass valve body
- Flühs ceramic disk valve cartridge for drip-free performance

### SPECIFICATIONS:

Warranty:	Limited lifetime warranty (residential) One year warranty (commercial)
Connection:	NPT 1/2"
Material:	Solid cast brass
Flow rate:	1.5 gpm @ 60 psi
Valve Size:	1 3/8" (Ø35mm)
Spout Projection:	7 1/2" (191mm)

### FINISHES:

Polished chrome

### ACCESSORIES:

Recommend TW120 or TW121 push button waste

### INSTALLATION:

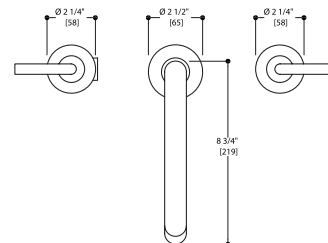
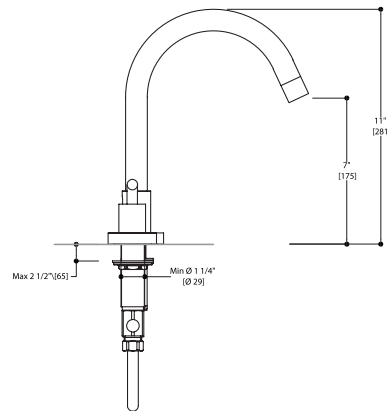
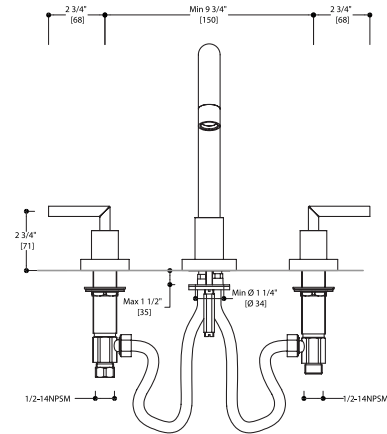
Install this product according to the installation guide. Our products must be installed by certified professionals only and according to our installation guide as well as federal, provincial/state and local building codes and regulations.

### CARE AND MAINTENANCE:

See Installation Manual

### CODES / STANDARDS APPLICABLE:

- ADA
- Meets or exceeds ANSI / ASME standard A112.18.1 and CAN / CSA B125.1-05 requirements
- Listed with IAPMO bearing the UPC / cUPC mark



\*Approximate measurements for comparison only.  
Note: These dimensions and specifications are subject to change without notice.