

Unity 32 Freestanding

Product code : **UN32FS**

Draft revision : **20130111090326**

External dimensions : **60" x 31,5" x 21,5" [152,4 cm x 80,0 cm x 54,6 cm]**

Series : **freestand**

Seats : **1**

2012 catalog page : **16**

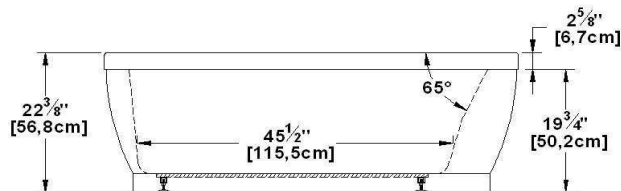
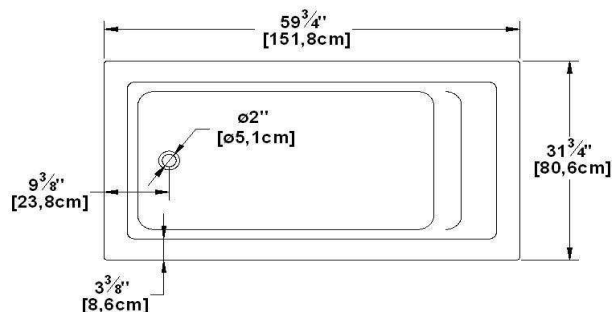
Low-profile available : **no**

Arm rests : **no**

Also available in DECKMOUNT

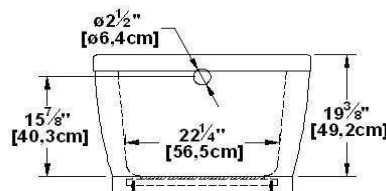
Lumbar support : **yes**

Draft and specs

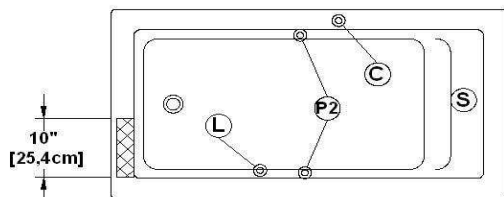


Specifications	
Capacity :	50 IMP Gal. / 65,2 US Gal. / 227,3 liters
AeroMassage™ :	36 Easy Clean™ air jets
Super AeroMassage™ :	AeroMassage™ + 12 Easy Clean™ air jets
Dynamic Turbo™ :	unavailable
Comfort Air™ :	unavailable
Characteristics :	n/a

Remarks	
*all measures have a precision of ± 1/4" (0,63cm)	
*internal dimensions taken at 4" (10cm) from bath bottom	
*capacity is measured by filling the soaker to 1-1/2" under the overflow	
*textured skirt available on all Freestanding products	
*shelf height is 3/4" on all "low-profile" models	



Options and installation



accessories and decorative lines positions are approximative

Additional(s) note(s) :

Keypad not installed when ordered with remote control.

Legend			
(S)	Blower	(L)	Chromatherapy light
(P1)	Pump	(P2)	Grab bar
(C)	Keypad		
XXXX	Recommended faucets drilling location*		
Deck cut-out line - - - - -			

Available models	
Model	Availability
Soaker alone	✓
Comfort Air™	
AeroMassage™	✓
Super AeroMassage™	✓
Dynamic Turbo™ (not available in the U.S.)	
Dynamic Turbo™ + AeroMassage™	
Dynamic Turbo™ + Super AeroMassage™	

Available recommended options	
Front skirt :	Included (Freestanding)
Recommended drain :	WOCOSB14 (chrome finish)
tile flanges :	unavailable
Floating controller :	available

*It is possible that faucets may be installed elsewhere on the product. Verify, directly on the product, that there are no conflicting parts before drilling.

IMPORTANT NOTE : Specifications, dimensions and models are subject to change.

Visit our website <http://www.oceania-attitude.com> to access up-to-date dimensions and informations. In all cases, information on the website is the most up-to-date. Dimensions may vary slightly. To ensure proper fit, measurements must be taken on the product directly.

Head office

591, avenue des Entreprises
Thetford Mines, Quebec
CANADA G6H 4B2

Phone numbers

No-charge : 1-877-332-4224
Fax : 1-866-460-4334

Internet

Web : <http://www.oceania-attitude.com>
Email : info@oceaniabaths.com