



Lavatory push drain without overflow
DL150XX



Specifications

Descriptions

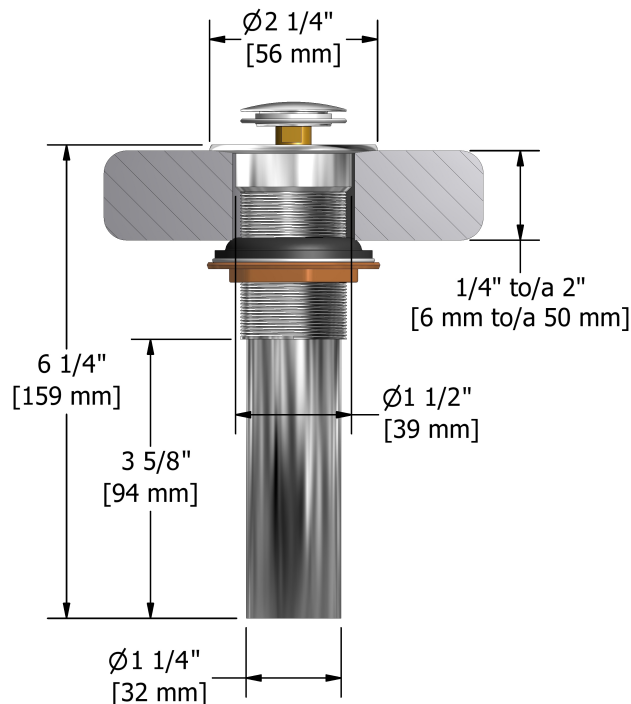
- Push drain
- $\text{Ø}1\frac{1}{4}$ " tail piece

Available colors

- C : Chrome
- BN : Brushed nickel (PVD)

Certifications

- CMR248 Approval
- CSA B125.2
- ASME A112.18.2



Sizes, models and finishes may differ from thoses presented.

Warranty

The Riobel inc. product carries a limited LIFETIME warranty on the finish Chrome, Gold (PVD), Brushed nickel (PVD), Night brushed (PVD), Polished nickel (PVD) and all working parts and is guaranteed from the initial date of purchase against all manufacturing defects. Other finished 1 year.

Customer Service

Ontario, West Canada : 888-287-5354 Quebec, Maritimes, United States : 866-473-8442

2014.05.08