

Date:

Client:

Project:

VOLA product: 4111

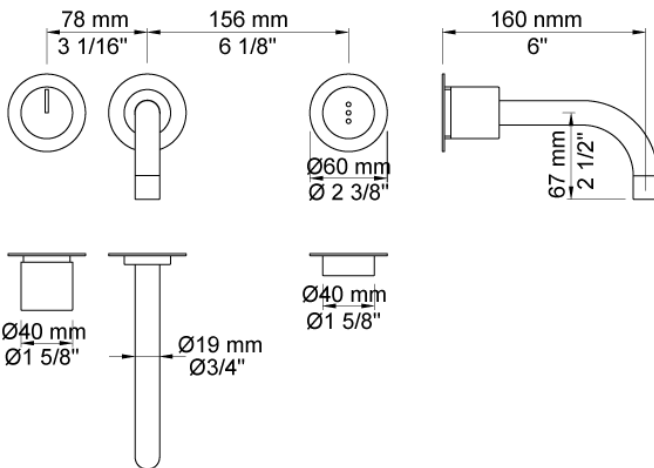


4111

Build-in basin mixer with on-off sensor for 'hands free' operation.
 4111UP = Mixer 4100.
 4111AP = Handle NR41, sensor 4000S, 160 mm spout 010, 2 pcs. 60 mm circular flanges 001, flange 3001.
 Valve box for electronic mixer, VR2618 enclosed.

Flow

| | Bar: | 1,0 | 2,0 | 3,0 | 4,0 | 5,0 |
|------|---------|-----|-----|-----|-----|-----|
| 4111 | (l/min) | 5,0 | 5,0 | 5,0 | 5,0 | 5,0 |



Available in colours

- Color 02, Grey
- Color 04, Light blue
- Color 05, Orange
- Color 06, Light green
- Color 08, Yellow
- Color 09, Dark grey
- Color 12, Mocca
- Color 14, Bright red
- Color 15, Dark blue
- Color 16, Polished chrome
- Color 17, Gloss black
- Color 18, White
- Color 19, Natural brass
- Color 20, Brushed chrome
- Color 21, Carmine red
- Color 25, Pink
- Color 27, Matt black
- Color 40, Brushed stainless steel

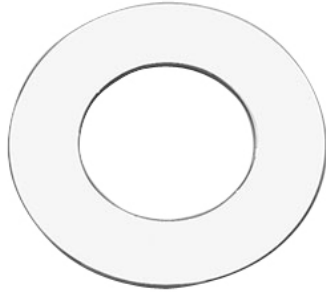


Date:

Client:

Project:

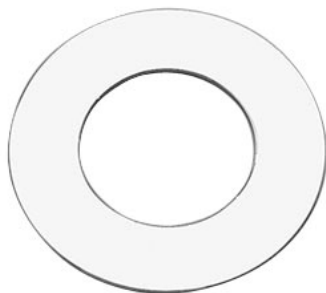
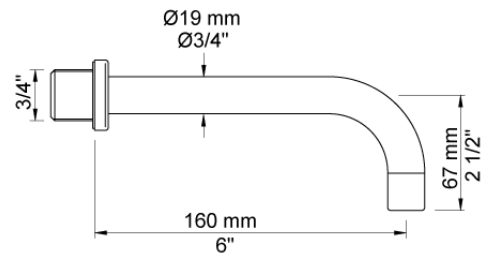
VOLA product: 4111



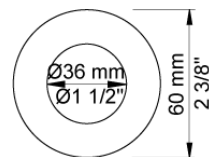
001
60 mm circular flange.
Hole Ø33 mm.



010
160 mm fixed spout with water saving aerator.



3001
60 mm circular flange. Hole Ø36 mm.



Date:

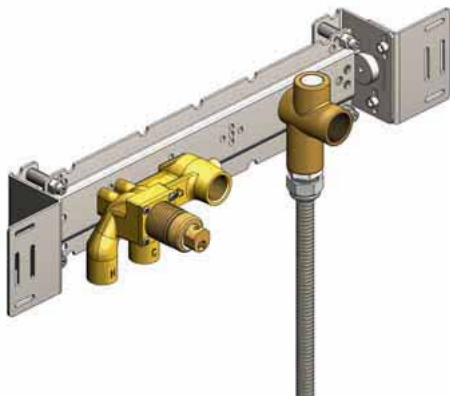
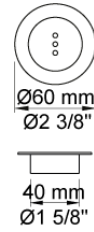
Client:

Project:

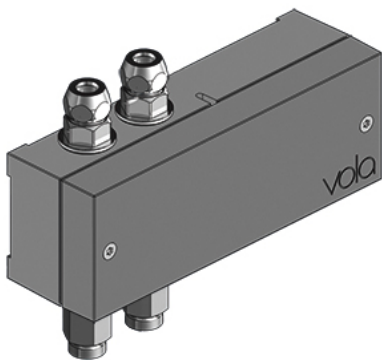
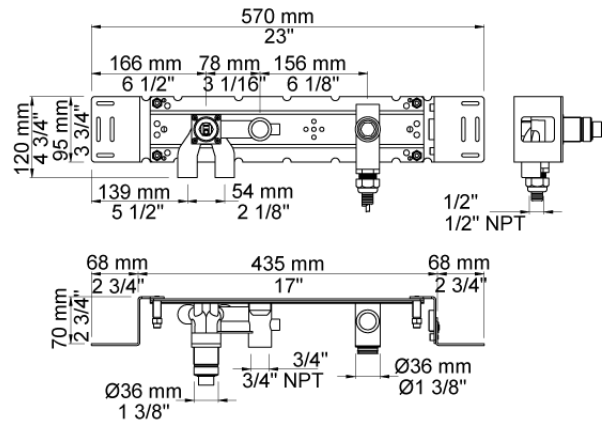
VOLA product: 4111



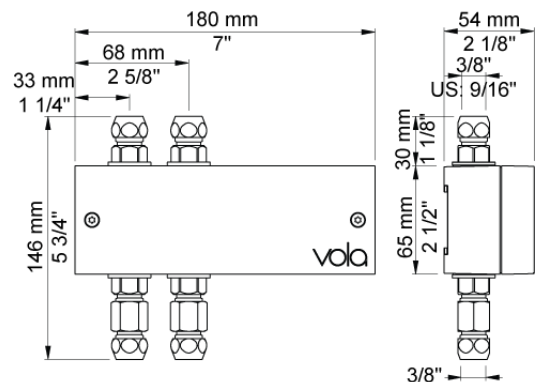
4000S
Sensor



4100
Build-in basin mixer with on-off sensor for 'hands free' operation, with temperature regulation.



VR2618
Box for electronic HV1E/4100



Date:

Client:

Project:

VOLA product: 4111



NR41
Temperature control handle for wall-mounted electronic mixer 4100.

