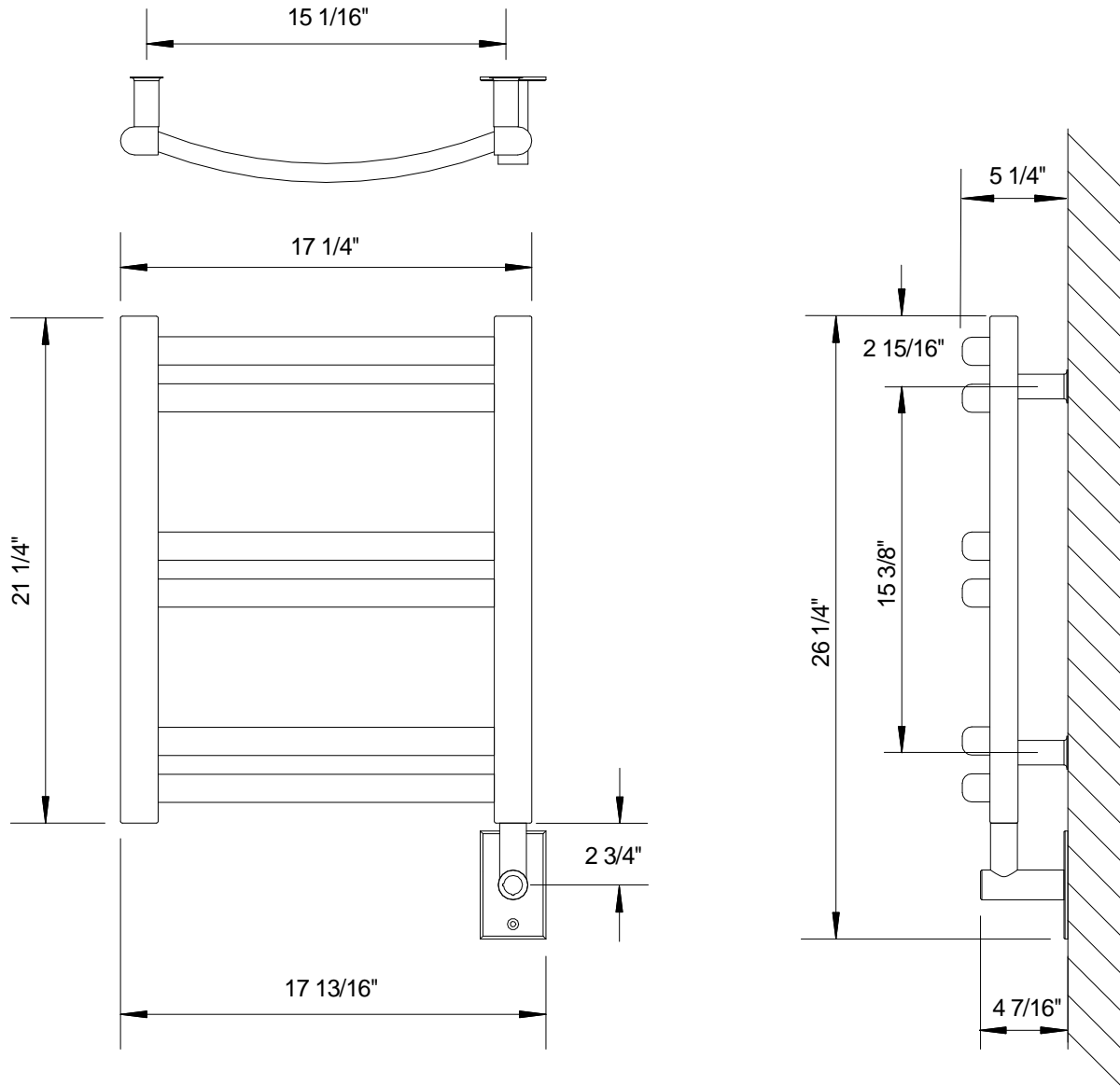




Ferlo ECMH3-1 Contemporary ELECTRIC

Technical Information

- . 120VAC 60Hz 75/100W .68/.91A*
- . 1-1/2" "D" Vertical Tubes
- . 1" Oval Horizontal Tubes
- . Smart Thermo Control Element
- . Brass Construction
- . 20 lbs.



*Represents draw at steady state. Power could be higher during warm up.
Lower value = Plated Finishes
Higher Value = Painted Finishes

ECMH3-1
No Scale
REV A 11/07/09