

SPECIFICATIONS

REEF™ SINGLE HANDLE LAVATORY FAUCET

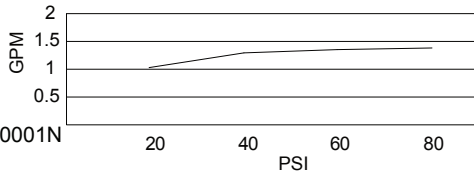
Model

D225533

Design Features

- Ceramic disc valve DA507906N
- Laminar flow 1.5 gpm maximum aerator @ 60 psi, DA500001N
- Metal lever handle
- 50/50 touch-down drain assembly
- Single hole mount, 5 1/4" high spout, 3 7/8" spout length
- Optional 4" deckplate DA607568 available for 3 hole installation (sold separately)
- Optional single hole installation plate DA607569 (sold separately)

Flow Rate



Standards



- NSF 61-9
- Energy Policy Act of 1992



Certified by IAPMO R&T



NSF/ANSI 372

- ASME A112.18.1M/A112.18.1
- NSF/ANSI 372



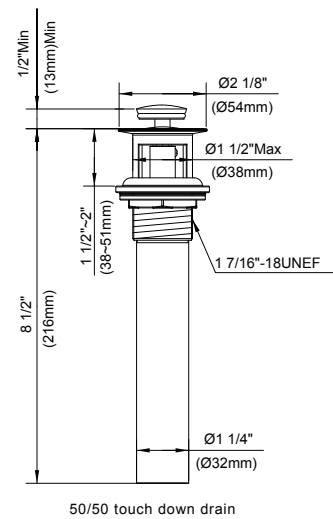
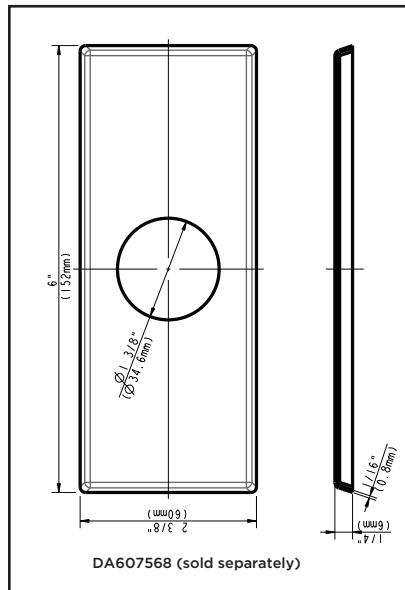
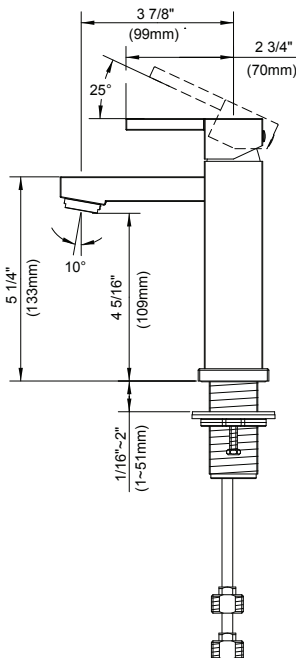
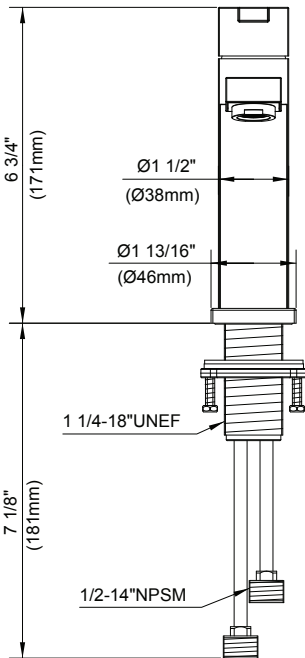
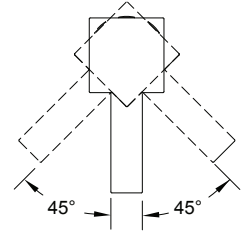
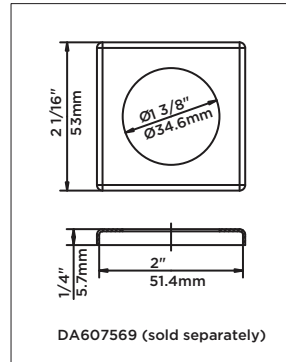
- ADA Accessibility Guidelines for Buildings and Facilities - 4.27.4 Controls and Mechanisms

Finishes Available

- Chrome
- Other: Refer to Price List for additional finish

Warranty

Danze products are covered by a manufacturer's limited "lifetime" warranty for manufacturing defects.



Submittal Information:

Job Name: _____
 Contractor: _____

Location: _____
 Contact #: _____