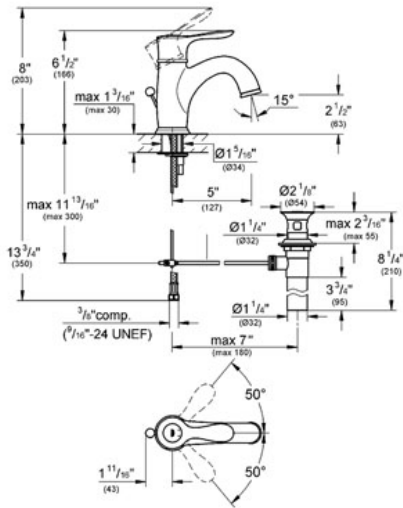


PARKFIELD
Lavatory Centerset
MODEL # 23305

Pure Freude an Wasser



GROHE America, Inc | 200 North Gary Avenue, Suite G, Roselle, IL 60172
Phone: +1 (800) 444-7643 | Fax: +1 (800) 225-2778 | us-customerservice@grohe.com



Product Description:
Lavatory Centerset

- Standard Specification:**
- GROHE StarLight® finish
 - GROHE SilkMove® ceramic cartridge
 - GROHE EcoJoy® technology for less water and perfect flow
 - Single hole installation
 - Metal lever
 - Temperature limiter
 - Flow control
 - Quick installation system
 - Pop-up waste set
 - Flexible hose connections
 - Max Flow Rate 1.5 gpm (5.7 L/min)

- Applicable Codes & Standards:**
- Energy Policy Act of 1992
 - NSF 61
 - ASME A112.18.1/CSA B125.1
 - US Federal and State material regulations
 - EPA WaterSense®
 - ICC/ANSI A117.1
 - CalGreen

- Color:**
- 23305 EN0 Brushed Nickel
 - 23305 000 chrome

