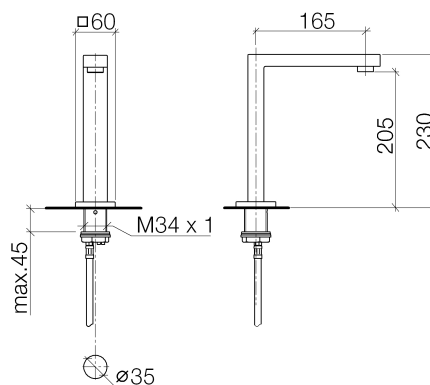




Product specifications

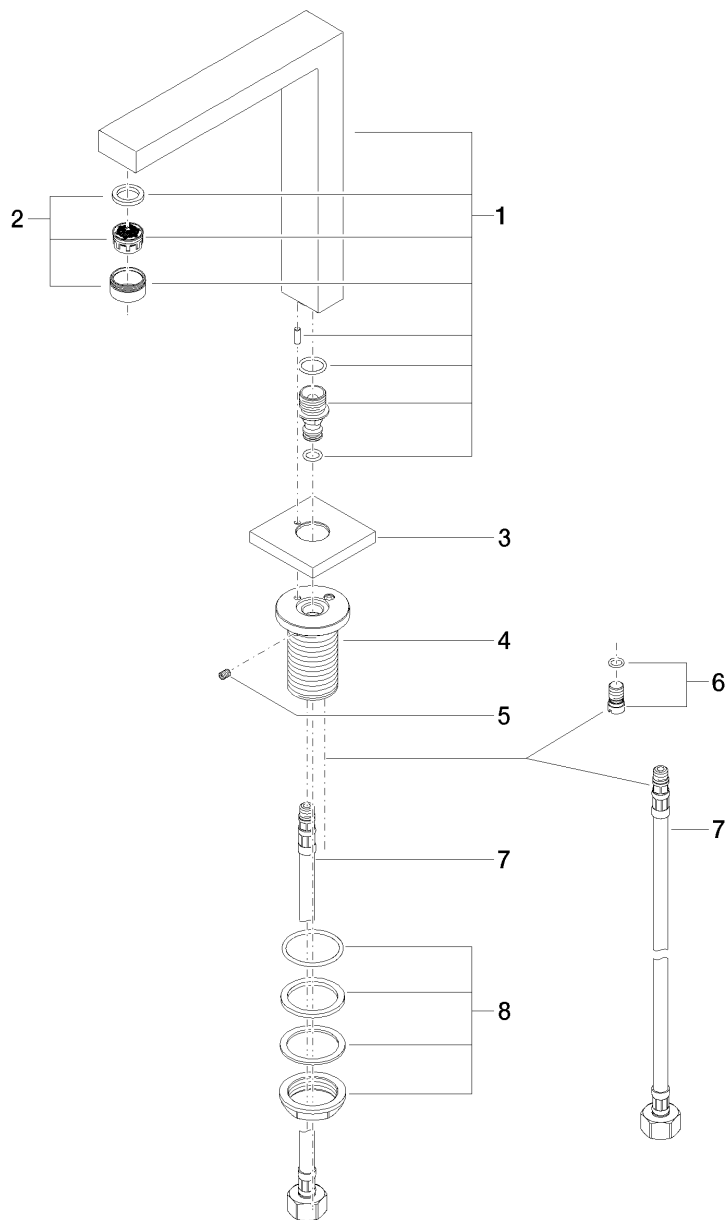
- **6 1/2" projection**
- M 24 x 1 aerator – male thread
- Total height 9"
- Height to aerator/spout outlet 8 1/8"
- 1 3/8" hole diameter
- 2x M 10 x 1 screw-in high pressure hose
- Water flow rate limited to max. 1.5 gpm
- low lead compliant
- Flange 2 3/8 x 2 3/8"
- 1x M 10 plug



Surfaces

- | | |
|-----------------|-----------------|
| • chrome | 13721980-000010 |
| • chrome | 13721980-000010 |
| • matt platinum | 13721980-060010 |
| • matt platinum | 13721980-060010 |

Exploded assembly drawing



Order quantity

No.	Article number	Name	Installation quantity
1	90110619207ff	spout	1
2	90230102904ff	aerator	1
3	092768002ff	rosette	1
4	0930011021090	sleeve	1
5	09311103690	pin	1
6	0431200461092	set	1
7	0430040190090	hose	1
8	0423100440090	fixing set	1

