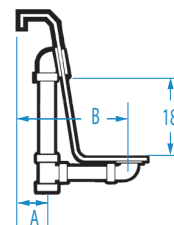
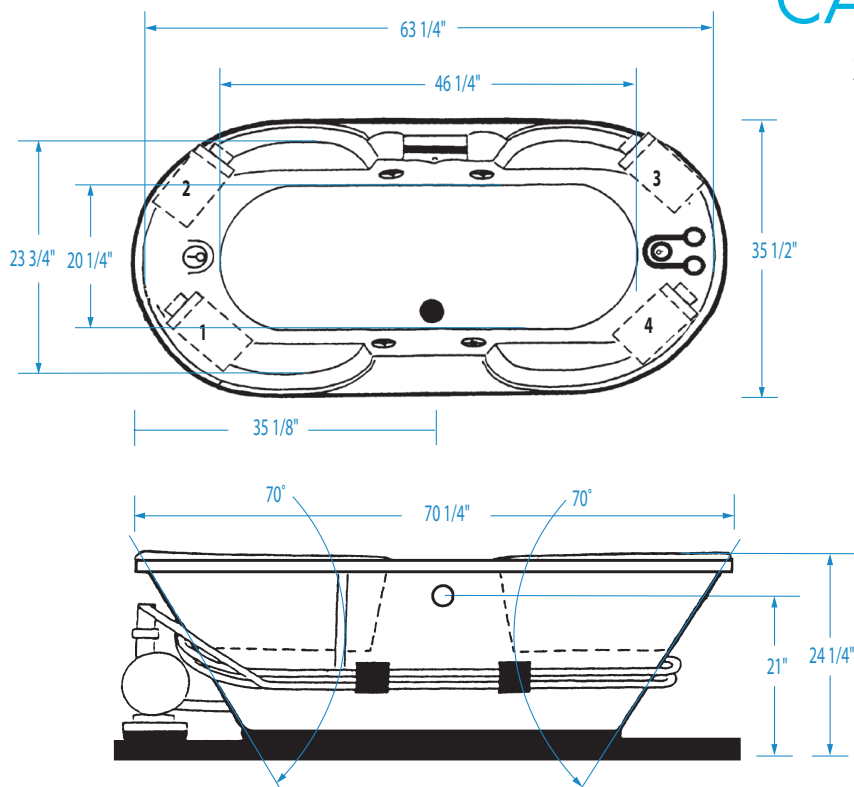


CASTAWAY OVAL

 70 1/4 x 35 1/2 x 24 1/4 (1785 x 900 x 615)
 inches (mm)


Note: For Air-whirlpool, no alternate pump/blower location available.


FEATURES lbs (kg) Dimensional Tolerance $\pm 3/8"$. Dimensions needed for site preparation should be measured from the unit. Aquatic assumes no responsibility for preparatory work.

Type and Model #	Material	Jets	Pump	Air System	Blower	Heater	Controls	Drain	Pkg. Wt.
Whirlpool #AI7236CLO	Acrylic	8	1.75 HP	—	—	1.5 kw Inline (optional)	Electronic	Center Front	201 (91)
Air-Whirlpool #AI23LUX7036	Acrylic	8	1.75 HP	Channel	Variable speed	1.5 kw Inline	Electronic	Center Front	246 (112)

DIMENSIONS inches (mm)

Width Overall / Net	Depth Overall / Net	Height Overall / Net	Skirt Height
70 1/4 (1785)	35 1/2 (900)	24 1/4 (615)	—

SUMP DATA inches (mm)

Capacity to Overflow gal (ltr)	Min. Operating Capacity gal (ltr)	WIDTH @ centerline		DEPTH @ centerline	
		Top	Bottom	Top	Bottom
80 (302)	61 (231)	63 1/4 (1605)	46 1/4 (1175)	23 3/4 (575)	20 1/4 (515)

PLUMBING DIMENSIONS inches (mm)

A	B	Drain Diameter / Clearance
5 3/8 (135)	12 (305)	2 (50) / 3/4 (20)

ELECTRICAL DATA

Component	Specification	Requirement
Pump	1.75 HP; 12 AMP; 120V	15 AMP; 120V, separate circuit; Class A GFCI
Optional Heater	1.5 kW; 12 AMP; 120V	15 AMP; 120V, separate circuit; Class A GFCI
Blower	1.0 HP; 9.5 AMP; 120V	15 AMP; 120V, separate circuit; Class A GFCI

NOTES:

1) Where applicable, utilize cut-out templates packed with unit for deck cutouts.

2) 16 x 16 (405 x 405) minimum access required at pump/blower location(s).

NOTE:

1) This whirlpool must be hard wired to the breaker box. Three outlets will be supplied on the air-whirlpool.