

- Soft Close Wood doors
- Soft close and Full Extension drawers with Dovetail construction
- Under mount glides
- Extend design with optional 12" Drawer bridge
- Matching finish throughout the interior
- Optional Drawer Organizer
- Matching Mirror, Medicine Cabinet and Wall Cabinet

All Ronbow cabinets are made of solid hardwood or hardwood plywood and meet strict CARB Standards. No particle Board or Micro-Density Fiberboard (MDF) are used.

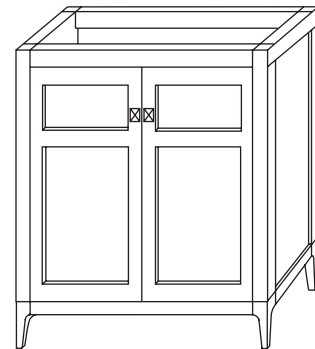
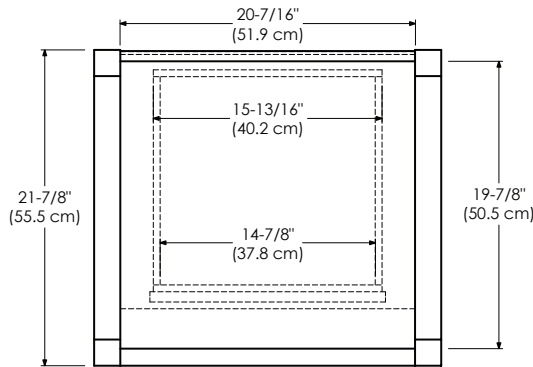
Available finishes:

- AMERICAN WALNUT E56
- OCEAN GRAY F21
- VINTAGE HONEY R01
- WHITE W01

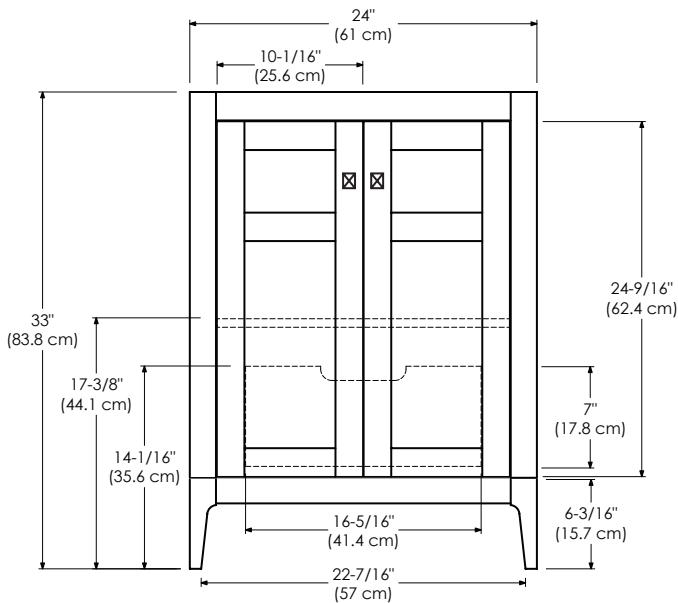
Available tops:

- CERAMIC SINKTOP
- STONE COUNTER
- TECHSTONE™ TOP
- WIDEAPPEAL™ TOP

TOP VIEW



FRONT VIEW



SIDE VIEW

