

- Soft close and Full Extension drawers with Dovetail construction
- Under mount glides
- Matching finish throughout the interior
- Extend design with optional 12" Drawer Bridge
- Decorative drawer with glass side panels
- Optional Drawer Organizer and Motion Sensor LED Light
- Matching Mirror, Medicine cabinet and Wall cabinet
- One large drawer with hidden drawer

All Ronbow cabinets are made of solid hardwood or hardwood plywood and meet strict CARB Standards. No particle Board or Micro-Density Fiberboard (MDF) are used.

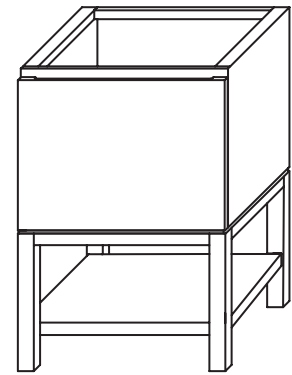
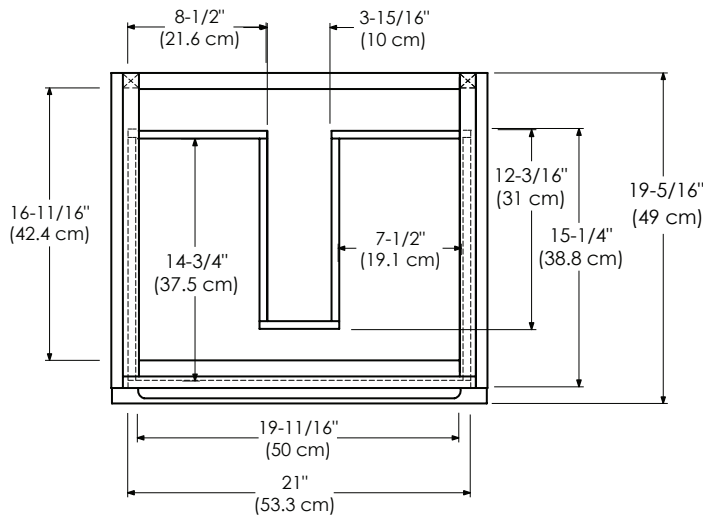
Available finishes:

- BLUSH TAUPE E01
- SLATE GRAY E12
- GLOSSY WHITE E23

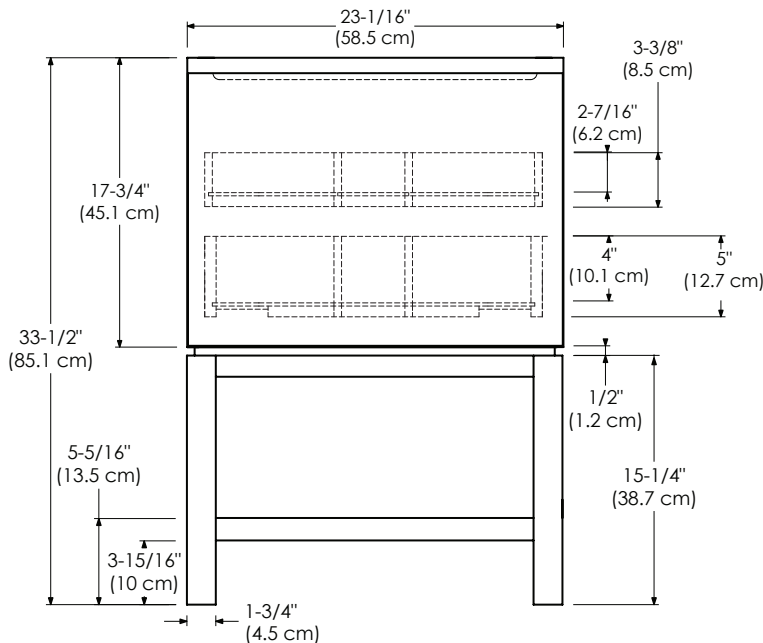
Available tops:

- CERAMIC SINKTOP
- GLASS SINKTOP
- TECHSTONE™ TOP
- WIDEAPPEAL™ TOP

TOP VIEW



FRONT VIEW



SIDE VIEW

