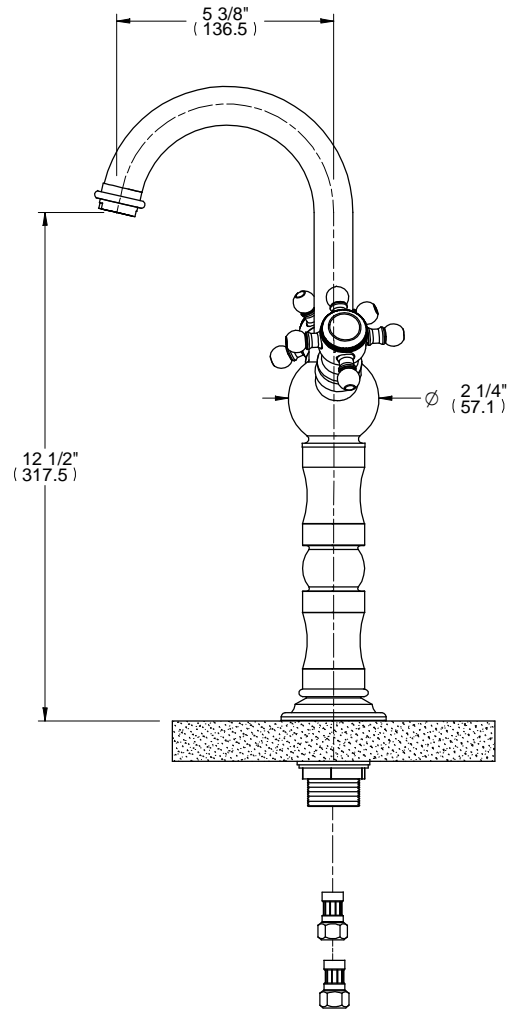
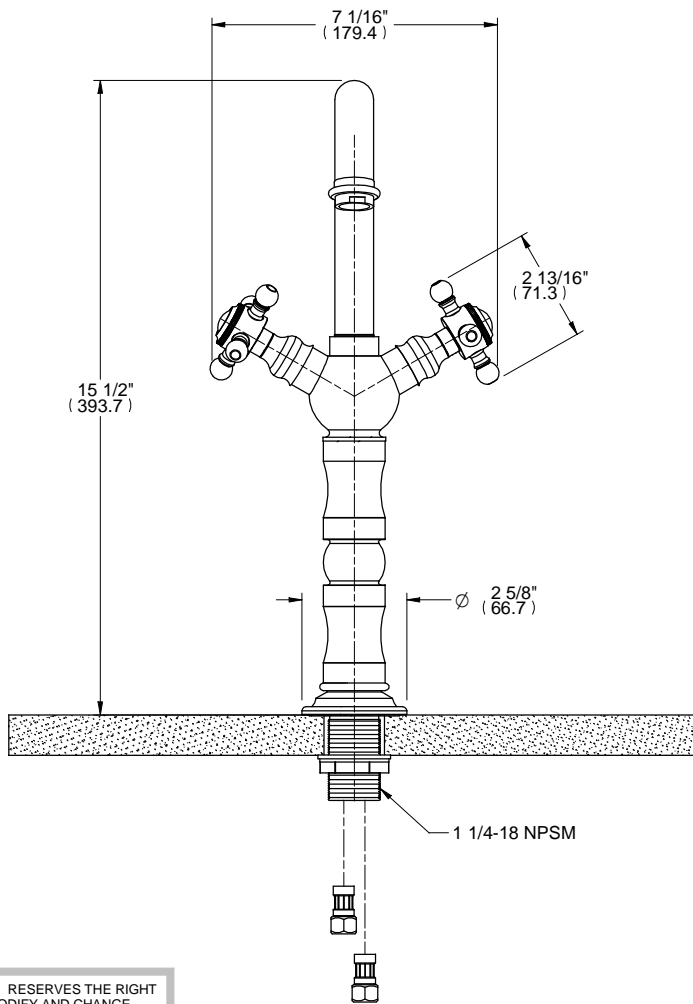




L1



ALTMANS RESERVES THE RIGHT  
 TO MODIFY AND CHANGE  
 SPECIFICATIONS AT ANY  
 TIME. PLEASE VERIFY DIMENSIONS  
 PRIOR TO INSTALLATION.

**Features**

Available in All Finishes  
 Brass Construction  
 1/4 Turn Ceramic Disc Cartridge

**Through-Hole Specifications**

Spout: Ø 1 1/4" Max.  
 Valve: Ø 1 1/4" Max.

DIMENSIONS SHOWN TO NEAREST 1/16"