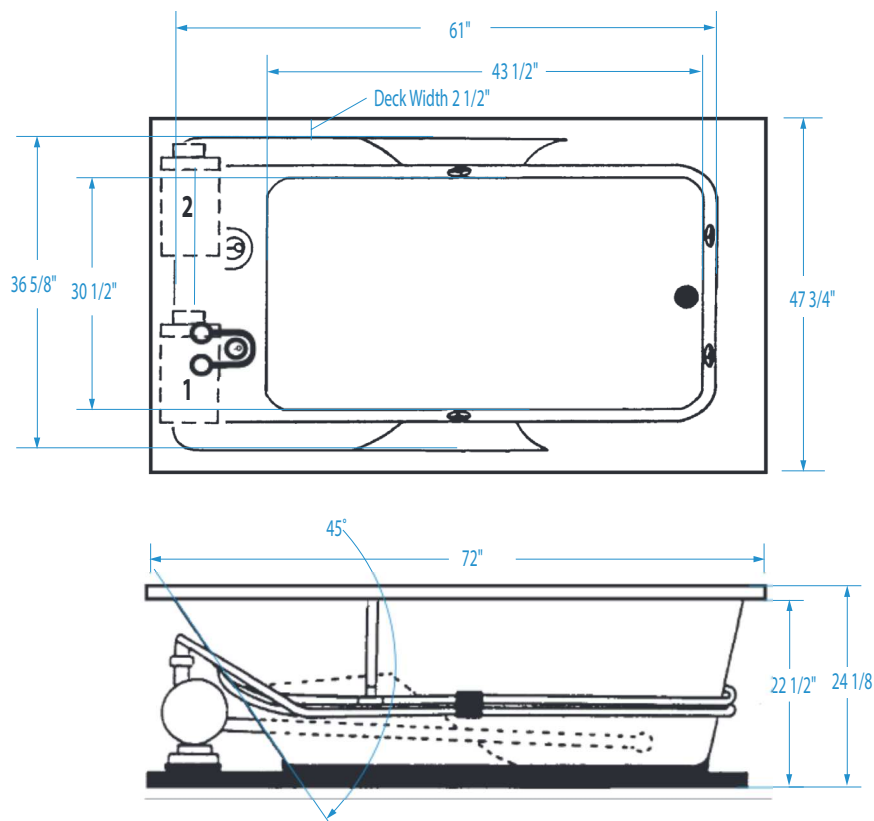


DEL RAY

72 x 47 ¾ x 24 ⅞ (1830 x 1215 x 615)
inches (mm)



FEATURES lbs (kg) Dimensional Tolerance ± 3/8". Dimensions needed for site preparation should be measured from the unit. Aquatic assumes no responsibility for preparatory work.

Type and Model #	Material	Jets	Pump	Heater	Controls	Drain	Pkg. Wt.
Whirlpool #AI7248R	Acrylic	8	1.75 HP	1.5 kw Inline (optional)	Electronic	Universal	254 (115)

DIMENSIONS inches (mm)

Width Overall / Net	Depth Overall / Net	Height Overall / Net	Skirt Height
72 (1830)	47 ¾ (1215)	24 ⅞ (615)	-

SUMP DATA inches (mm)

Capacity to Overflow gal (ltr)	Min. Operating Capacity gal (ltr)	WIDTH @ centerline		DEPTH @ centerline	
		Top	Bottom	Top	Bottom
131 (496)	111 (420)	61 (1550)	43 ½ (1105)	36 ⅞ (930)	30 ½ (775)

PLUMBING DIMENSIONS inches (mm)

A	B	Drain Diameter / Clearance
3 (75)	10 ⅞ (275)	

ELECTRICAL DATA

Component	Specification	Requirement
Pump	1.75 HP; 12 AMP; 120V	15 AMP; 120V, separate circuit; Class A GFCI
Optional Heater	1.5 kW; 12 AMP; 120V	15 AMP; 120V, separate circuit; Class A GFCI

NOTES:

1) Where applicable, utilize cut-out templates packed with unit for deck cutouts.

2) 16 x 16 (405 x 405) minimum access required at pump/blower location(s).

NOTE:

1) This whirlpool must be hard wired to the breaker box.