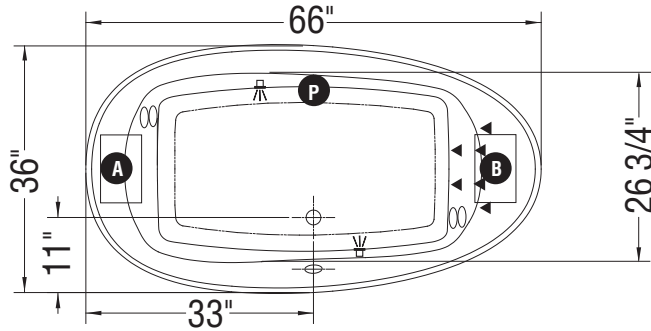
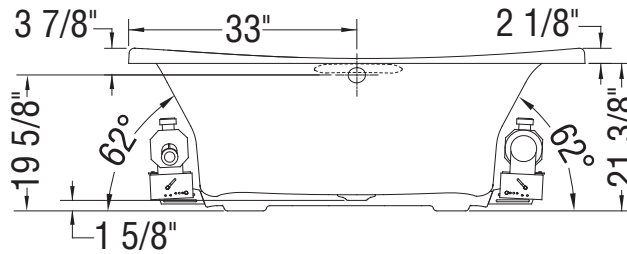
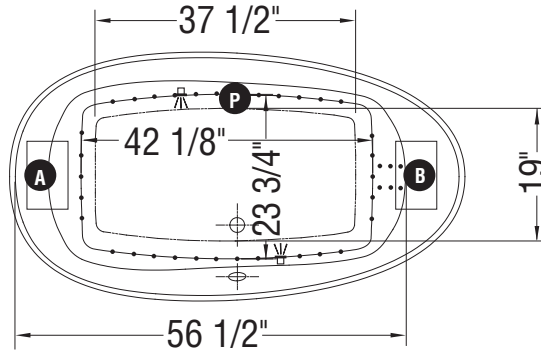


WHIRLPOOL SYSTEM



AIR SYSTEM



A : Specify blower and/or pump location when ordering

B : Indicates optional grab bar positioning

P : Indicates optional grab bar positioning

(⊕): Indicates overflow positioning

(○): Indicates whirlpool jets positioning

(•): Indicates airjets positioning

(▲): Indicates backjets positioning

(▼): Indicates chromatherapy light positioning

Bathtub base includes anti-vibration Neutra-Phone leg supports (not shown).

All dimensions are approximate. Structure measurements

must be verified against the unit to ensure proper fit.