

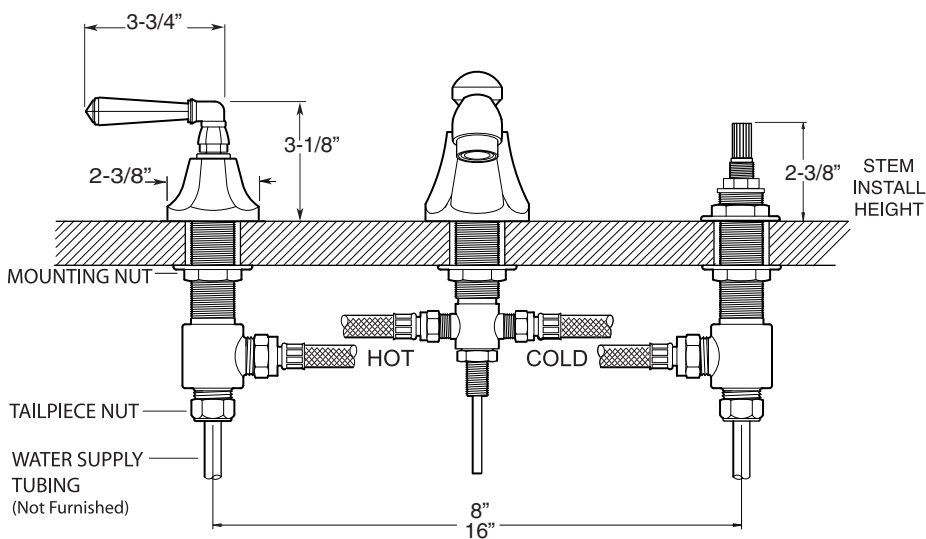
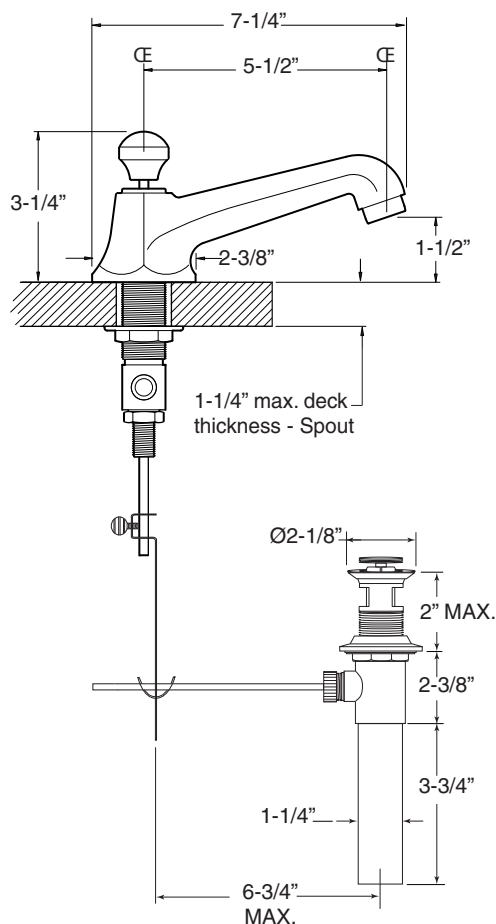
1.301008

Windham

Widespread Lavatory Set

FEATURES:

- All brass construction. Flexible hoses designed to be installed on 8" to 16" centers. Includes pop-upstyle drain assembly.
- Lever style handles with setscrew attachment.
- 1/4-turn ceramic disc valve cartridge.
- Available in all finishes. Warranty varies according to finish selection.
- Standard aerator is limited to 1.5 gpm.
- Certified to meet and exceed the following codes and standards:
ASME A112.18.1-2005/CSAB 125.1-2005



NOTE: Spout and valves install through 1-1/4" diameter holes

Note: Measurements are subject to change or cancellation. No responsibility is assumed for use of superseded or voided pages.

Parts List Series 300

Windham
Widespread Lavatory Set

