



© WETSTYLE

ove

BOV 01-66

inch 66x30x24.75 mm 1676x762x629

interior dimensions

rim: inch 64x28 mm 1626x711
 base: inch 55.75x20.25 mm 1416x514
 height: inch 20.5 mm 521

capacity to overflow

gal (us) - 70 liters - 263

weight

lb - 182 kg - 83

installation

freestanding

material

WETMAR BIO™, True High Gloss™
 or matte finish

color

white

codes/standards applicable

IAPMO-ANSI Z124.1
 IAPMO-ANSI Z124.3
 CSA B 45.0 - CSA B45.4

overflow and drain connection

WETSTYLE Plug & Bathe™ system
 (ABS or copper/brass)

overflow

built-in
 slot design
 polished chrome or
 brushed nickel

drain

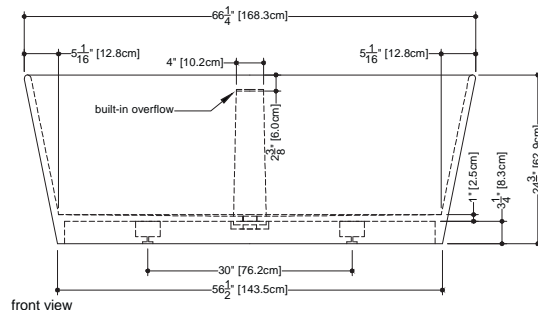
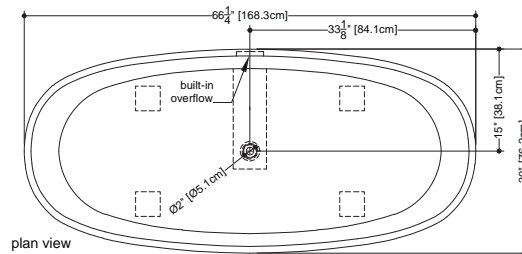
soft toe touch
 polished chrome or
 brushed nickel

faucet area recommended

wall-mounted or floor-mounted

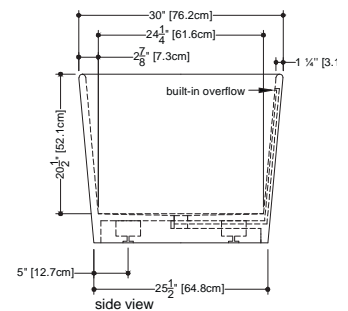
option

columns for wall or
 deck-mounted faucets
 (refer to the Column collection)



WETSTYLE Plug & Bathe™ overflow and drain connection system includes:

- Soft-touch pop-up drain, for built-in overflow. Fits both 1-1/2" ABS drain waste and 1-1/2" tubular brass
- 1-1/2" ABS Direct vertical drain waste fitting (copper/brass option also available)
- 1-1/2" ABS 90° Elbow drain waste fitting (copper/brass option also available)



WETSTYLE cannot be held responsible for any technical errors and reserves the right to make revisions without notice.

Approximate measurement.
 The manufacturer accept 1/8" (6.35mm) variance.

R05/14

www.WETSTYLE.CA - Montreal - Canada
 Tel. 450.536.9000 - 1 888.536.9001 - Fax. 450.536.0202

