

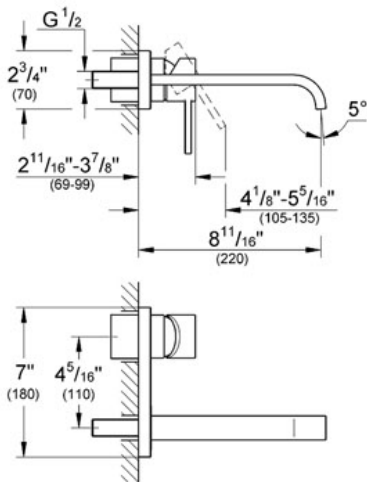
# ALLURE Two-Hole Basin Mixer M-Size

MODEL # 19387

GROHE America, Inc | 200 North Gary Avenue, Suite G, Roselle, IL 60172  
Phone: +1 (800) 444-7643 | Fax: +1 (800) 225-2778 | us-customerservice@grohe.com

Pure Freude an Wasser

**GROHE**



## Product Description: Two-Hole Basin Mixer M-Size

### Standard Specification:

- GROHE StarLight® finish
- Requires Vessel Rough-In Valve 33 780
- Wall mount
- With metal plate
- Spout with flow control
- Projection 8 11/16"
- Center distance 4 5/16" (110 mm)
- Without concealed body
- Flow restrictor (1.5 gpm)
- Max Flow Rate 1.5 gpm (5.7 L/min)

### Applicable Codes & Standards:

- Energy Policy Act of 1992
- NSF 61
- ASME A112.18.1/CSA B125.1
- US Federal and State material regulations
- EPA WaterSense®
- ICC/ANSI A117.1
- CalGreen

### Color:

- 19387 000 chrome