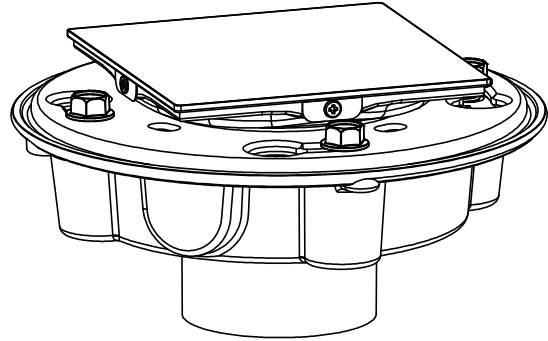


Features

- Rugged black ABS construction - Drain Body
 - Corrosion resistant mounting inserts and bolts
 - Reversible membrane collar with weep holes to accommodate a variety of tile installations
 - 2" & 3" ABS solvent joint connections
 - Brass throat with stainless steel tile frame, screws, & mudguard
 - Compatible with all StyleDrain Decorative Trim Grids
- For complete selection, see www.calfaucets.com



Codes/Standards Applicable

Specified model meets or exceeds the following:

- ASME A112.18.2/CSA B125.2

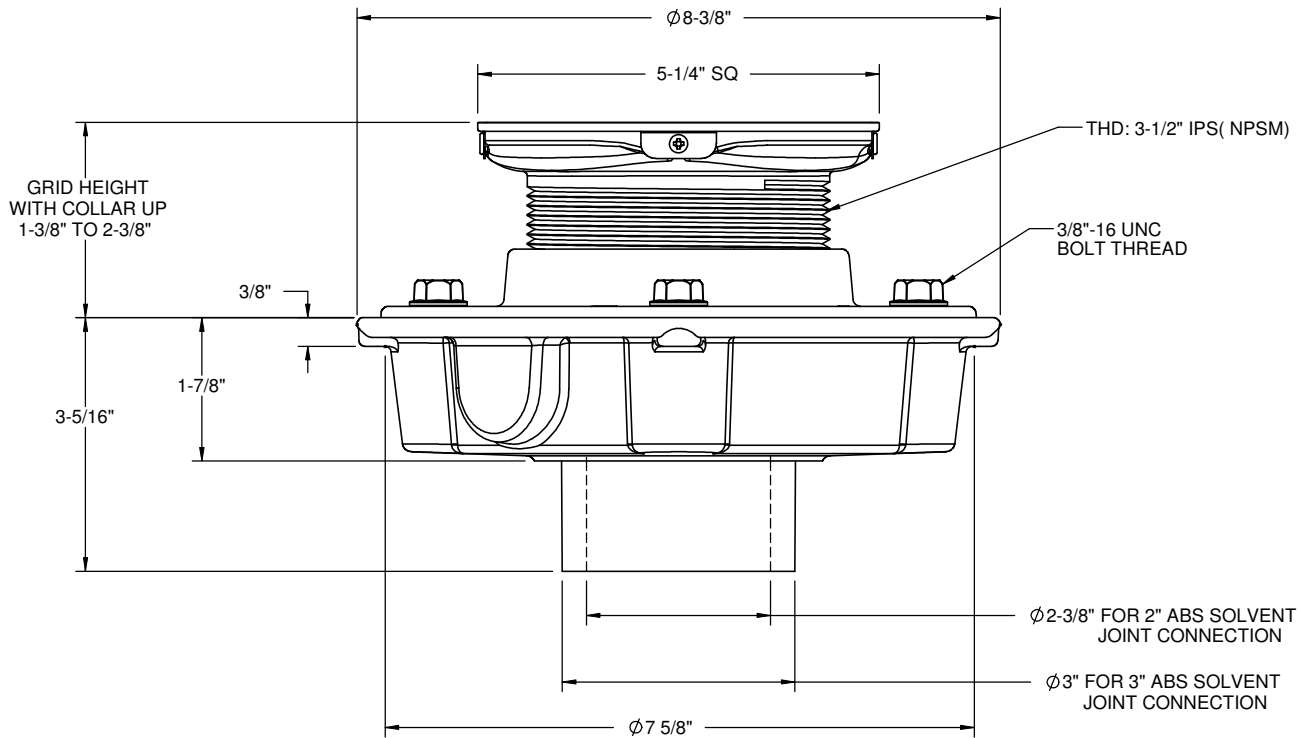


Figure 1. COLLAR IN **DOWN** POSITION

Figure 2. COLLAR IN **UP** POSITION

DIMENSIONS SHOWN TO NEAREST 1/16"

