

LUNA SEMI-RECESSED BASIN

Cat. No.
4-850



W: 17 1/8"
D: 17 1/8"
H: 7 5/8"
Above Counter Height: 3 3/8"
Flange: 3" x 1 5/8" deep

Interior Dimensions:

Basin Interior: 16" x 16"
Basin Depth: 6"
Recessed Area: 11 1/8" diameter
Back of basin to center of drain: 8 3/8"

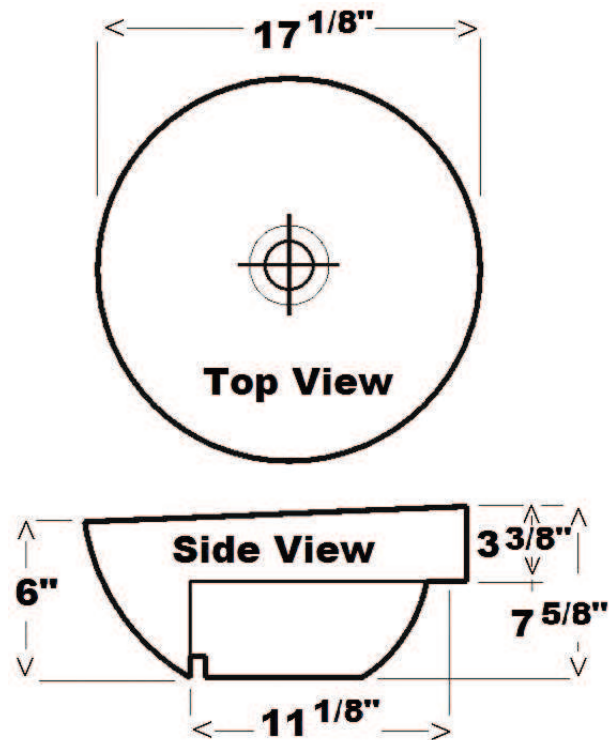
Features:

- ▶ Made of Fine Fire Clay for Durability
- ▶ For Use with Recessed Cabinets
- ▶ Chip and stain resistant

Colors:

WH White

Meets or exceeds the following specifications: ASME A112.19.9.M for Fire Clay fixtures.



Dimensions of fixture are nominal and may vary within the range of tolerances established by ASME Standard A112.19.2. Dimensions and specifications subject to change without notice.