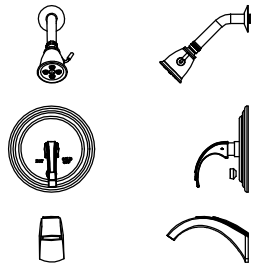




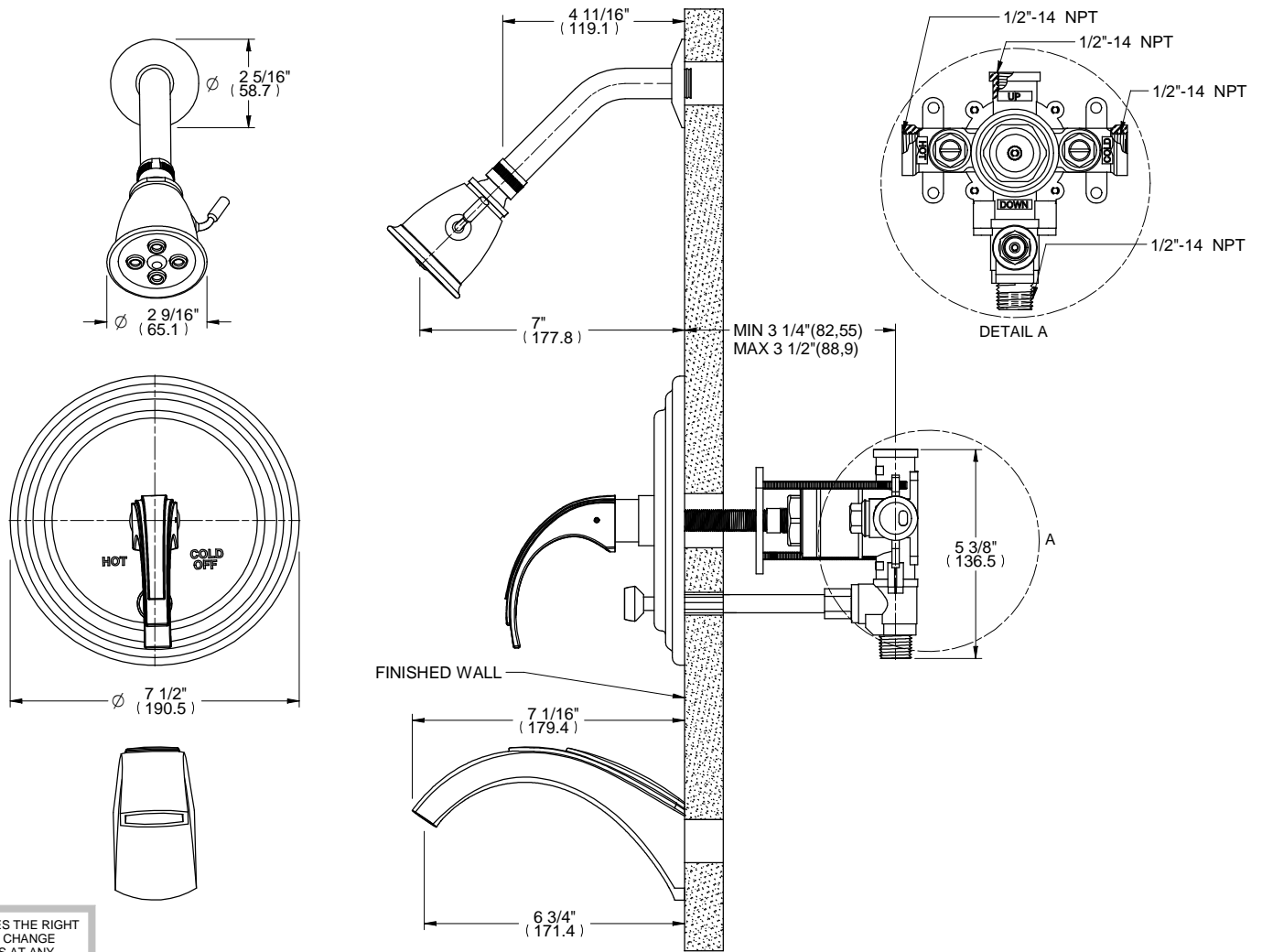
# ALTMANS™

## 1/2" Pressure Balanced Tub / Shower Mixer set with Stops SC34SCH

# SCARAB™



L1



ALTMANS RESERVES THE RIGHT TO MODIFY AND CHANGE SPECIFICATIONS AT ANY TIME. PLEASE VERIFY DIMENSIONS PRIOR TO INSTALLATION.

**Features**  
Available in All Finishes  
Brass Construction

**Through-Hole Specifications**

DIMENSIONS SHOWN TO NEAREST 1/16"