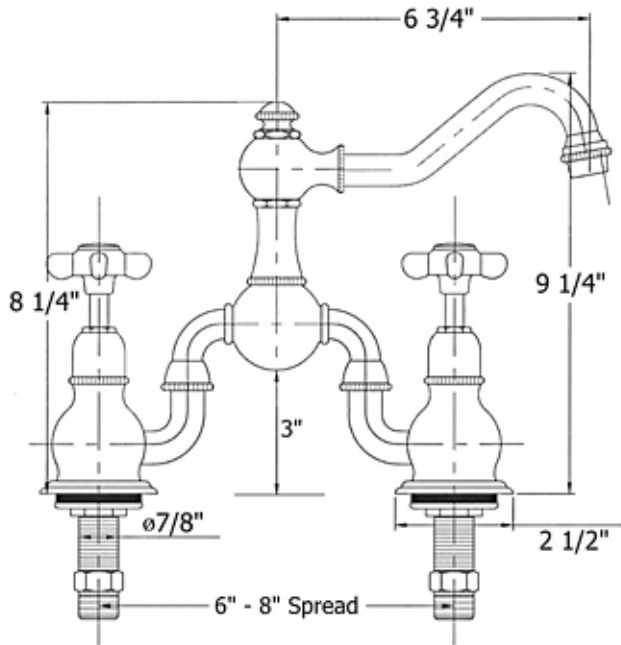


3003 – 'Royale' Two Hole Basin Mixer



Hole Drilling = 1 1/4"

Technical Information

- Requires 1 1/4" hole drilling
- Center holes adjustable 6" – 8"
- Flow rate is 2.2 GPM
- 1/2" male connections
- Swiveling spout
- Pop up waste #3080 **not** included
- Available finishes are Polished Chrome(**48**), SoliBrass(**49**), Polished Brass(**55**), Polished Nickel(**56**), Satin Nickel(**60**), Weathered Brass(**70**)
- Please see cleaning instructions for finish care and maintenance information.

Please follow example when ordering parts for 'Royale' Mixer.

- To order part#15 – **Cross Handle**
 - **9300315xx**
- Please substitute finish number needed in place of **xx**.
- To order a part that is not finished use **00**

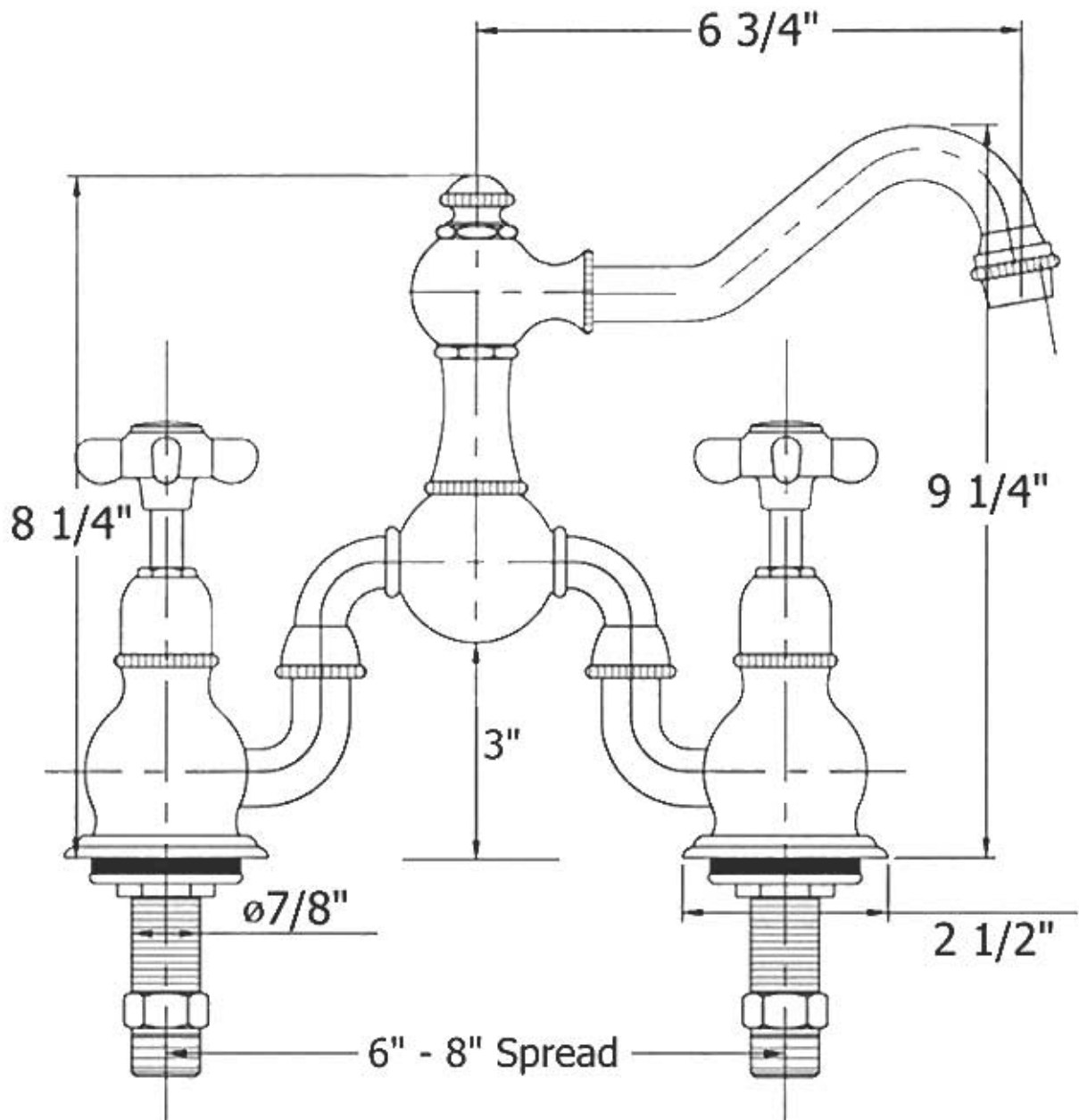
Part # Description

Part #	Description
01	Top Knob
02	Finished Washer
03	Spout
04	Rubber O-ring
05	Rubber O-rings
06	Body
07	Bridge Union
08	Spout Washer
09	Aerator Filter
10	Aerator Cover
11	Ceramic Insert
12	Double Sided Adhesive
13	Handle Screw
14	Handle Washer
15	Cross Handle
16	Handle Stem
17	Bell Escutcheon
20	Valve Body with Elbow
21	Deck Escutcheon
22	Valve Thread
23	Rubber O-ring
24	Metal Washer
25	Brass Mounting Nut
26	Fiber Washer
27	1/2" Adapter
85	Royale Cartridge



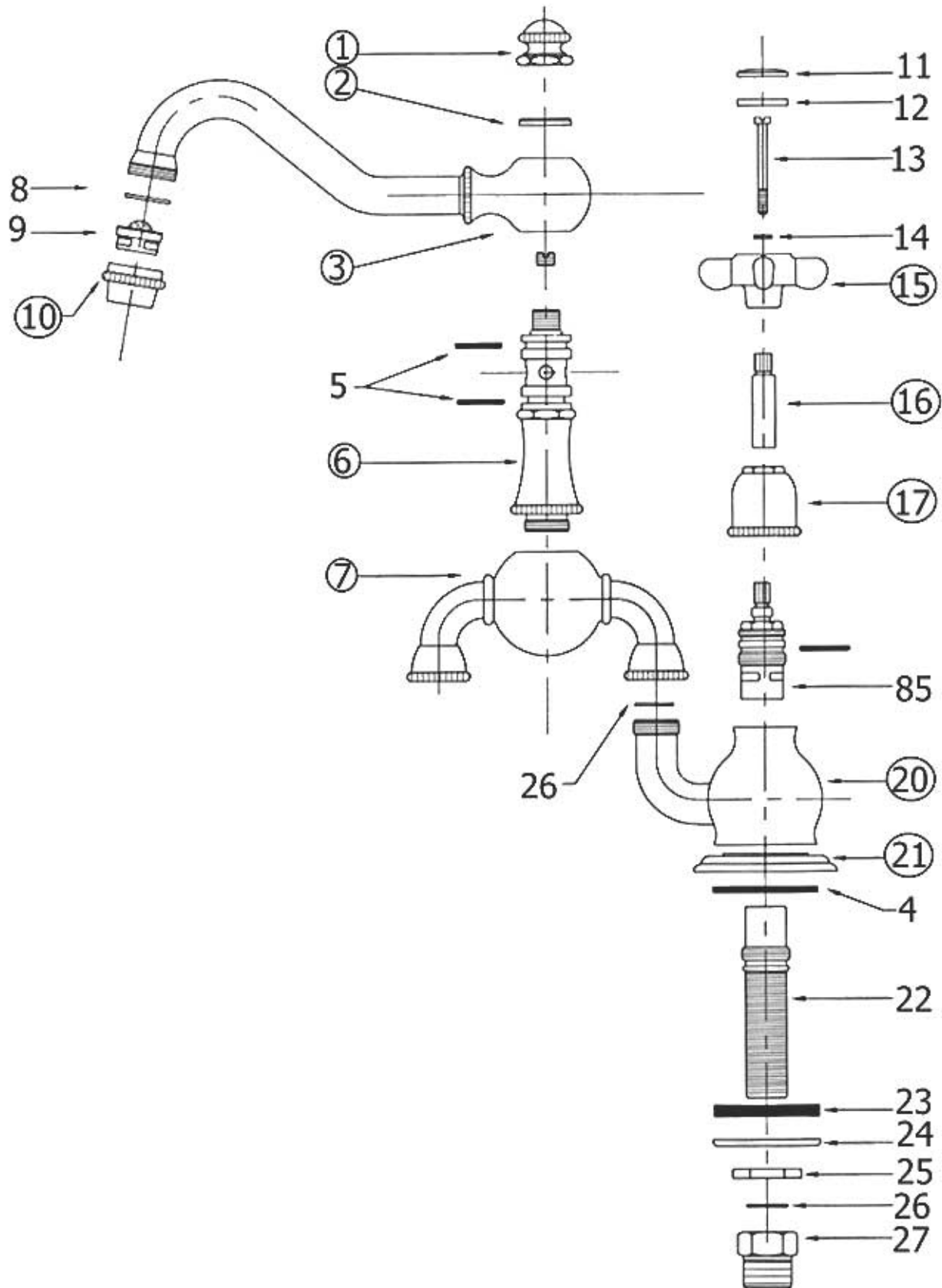
Herbeau
L'Art du Sanitaire depuis 1857

3003 - 'Royale' Two Hole Basin Mixer



Hole Drilling = $1 \frac{1}{4}''$

3003 - 'Royale' Two Hole Basin Mixer



○ - Finished Pieces