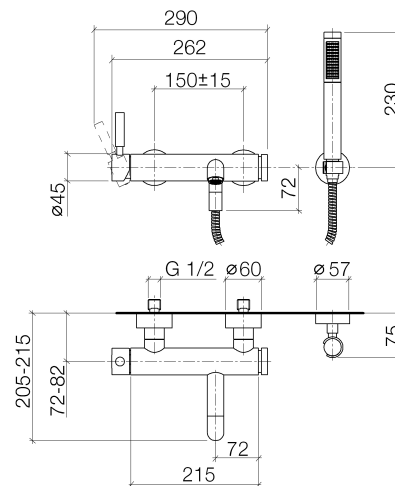




Product specifications

- **8 1/2" projection**
 - M 24 x 1 aerator – male thread
 - Back flow preventer in shower outlet
 - 3/8" shower outlet
 - Automatic diverter
 - Ceramic disc cartridge
 - Hand shower with descaling system and back flow preventer
 - 3/8" x 1/2" x 49 1/4" shower hose with rotating hose connector
 - Showerhead holder flange \varnothing 2 1/4"
 - Flanges \varnothing 2 3/8"
 - Center to center 5 7/8"
 - Concealed 1/2" x 3/4" US S-connectors
 - Hand shower water flow rate limited to max. 2.38 gpm
- Internal backflow preventer.

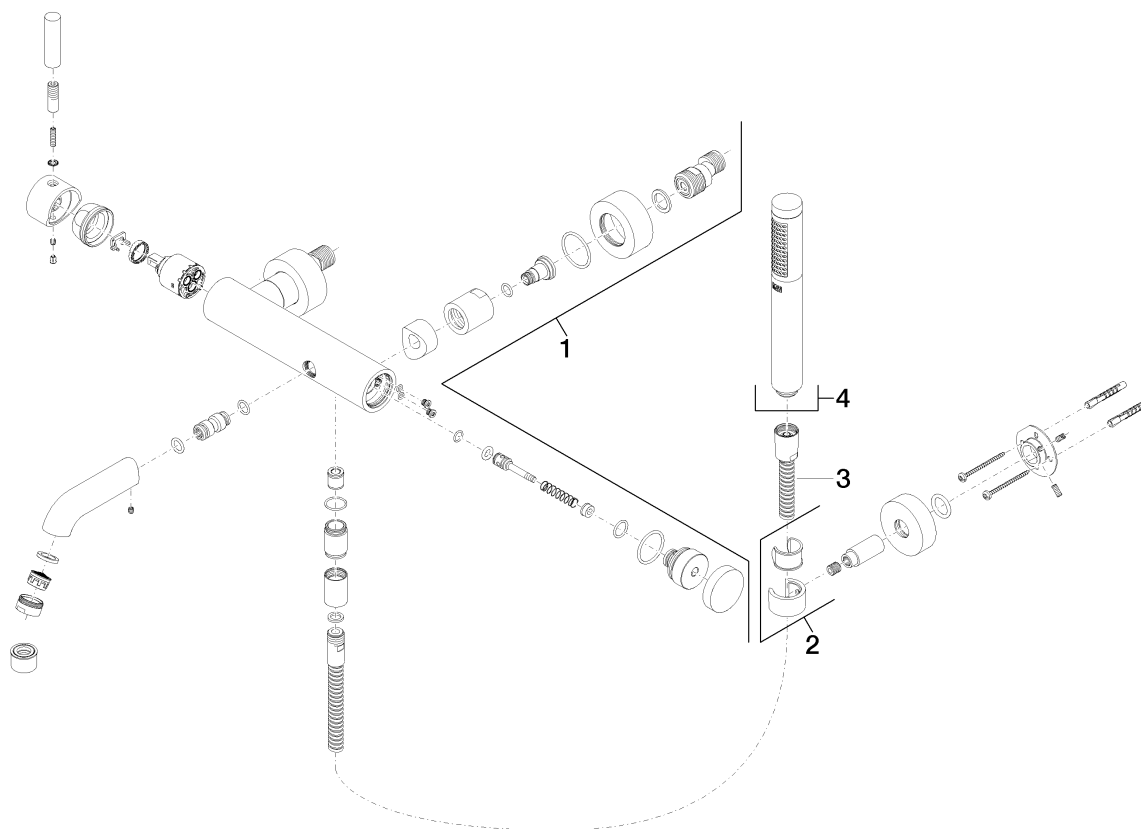




Surfaces

- chrome 33233625-00
- chrome 33233625-00
- matt platinum 33233625-06
- matt platinum 33233625-06

Exploded assembly drawing





Order quantity

No.	Article number	Name	Installation quantity
1	33200625ff	fitting	1
2	28050920ff	holder	1
3	093002072ff	hose	1
4	28010979ff	shower	1

