

33" MONTAGUE DOUBLE BOWL CORNER SINK

Cat. No
KSSDB2540-SS



W: 32-3/4"

D: 22-3/4"

H: 10"

***Please do NOT cut hole without
template or actual product.**

Interior Bowl Dimensions:

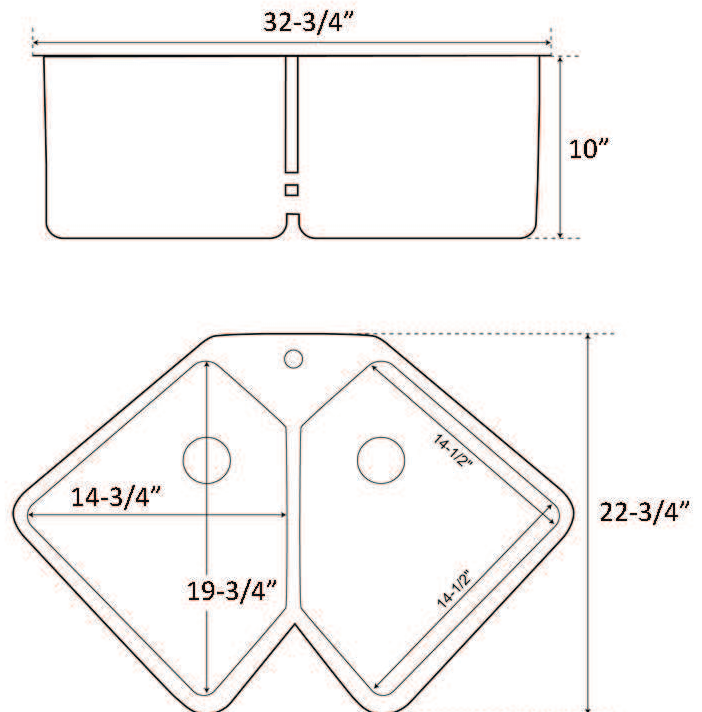
Basin Interior: 14-3/4" W x 19-3/4" D

Basin Depth: 9-1/2"

Features:

- ▶ Solid 16 gauge metal
- ▶ Features unique corner design
- ▶ Coated for sound insulation
- ▶ Matte finish
- ▶ Lip is 1" wide
- ▶ 3 1/2" drain
- ▶ 50/50 offset
- ▶ Drain sold separately

Compliance Certification
Meets or exceeds the following
specifications: ASME
A112.19.3-2001 for Stainless Steel.



Dimensions of fixture are nominal and may vary within the range of tolerances established by ANSI Standard A112.19.2. Dimensions and specifications subject to change without notice.