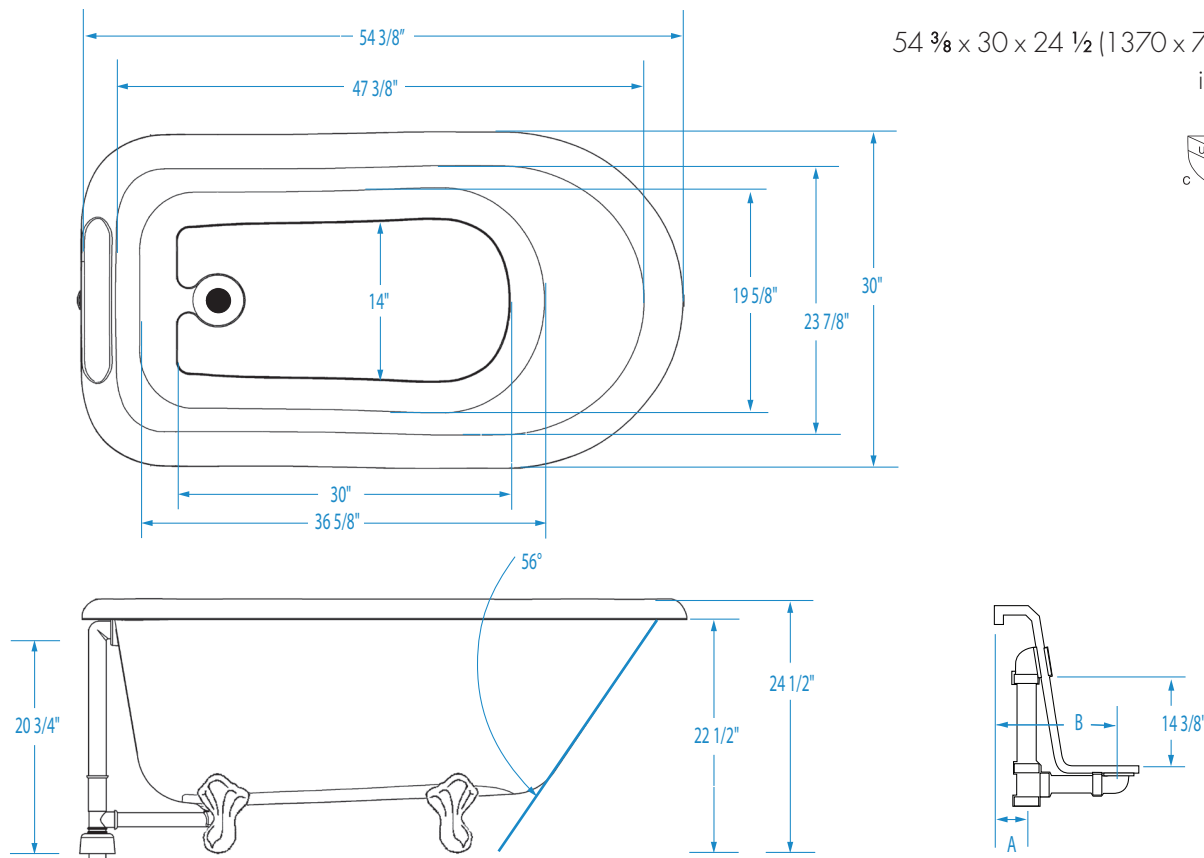


SERENITY 45

54 3/8" x 30" x 24 1/2" (1370 x 760 x 650)
inches (mm)



FEATURES lbs (kg) Dimensional Tolerance ± 3/8". Dimensions needed for site preparation should be measured from the unit. Aquatic assumes no responsibility for preparatory work.

Type and Model #	Material	Drain	Pkg. Wt.
Soaker #AIY5417TO	Acrylic	End	110 (50)

DIMENSIONS inches (mm)

Width Overall / Net	Depth Overall / Net	Height Overall / Net	Skirt Height
54 3/8 (1370)	30 (760)	24 1/2 (650)	-

SUMP DATA inches (mm)

Capacity to Overflow gal (ltr)	Min. Operating Capacity gal (ltr)	WIDTH @ centerline		DEPTH @ centerline	
		Top	Bottom	Top	Bottom
41 (155)	-	47 7/8 (1215)	36 5/8 (930)	23 7/8 (605)	19 5/8 (500)

PLUMBING DIMENSIONS inches (mm)

A	B	Drain Diameter / Clearance
1 7/8 (50)	12 1/4 (310)	

NOTES:

1) Where applicable, utilize cut-out templates packed with unit for deck cutouts.

2) 16 x 16 (405 x 405) minimum access required at pump/blower location(s).