

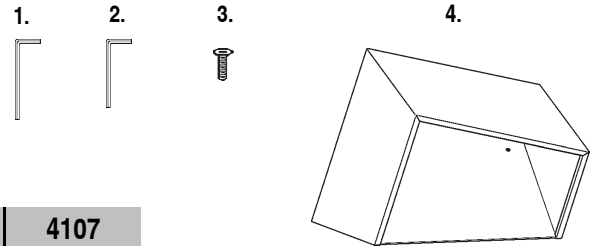
Break

Design by Xuclà & Alemany

VIBIA
LIGHT IS CREATION

ASSEMBLY INSTRUCTIONS

SUPPLIED MATERIAL



	4107
1 Big allen key	1 un.
2 Small allen key	1 un.
3 Screws	12 un.
4 Lamp structure	1 un.

TECHNICAL SPECIFICATIONS

4107. Net Weight 16 Kg



2 x PL-L 2G11 24W



IP65

c **UL** us



Class I. Product with an additional protection cable (grounds).

IP65

Dust-tight product. Protected against water trickles.

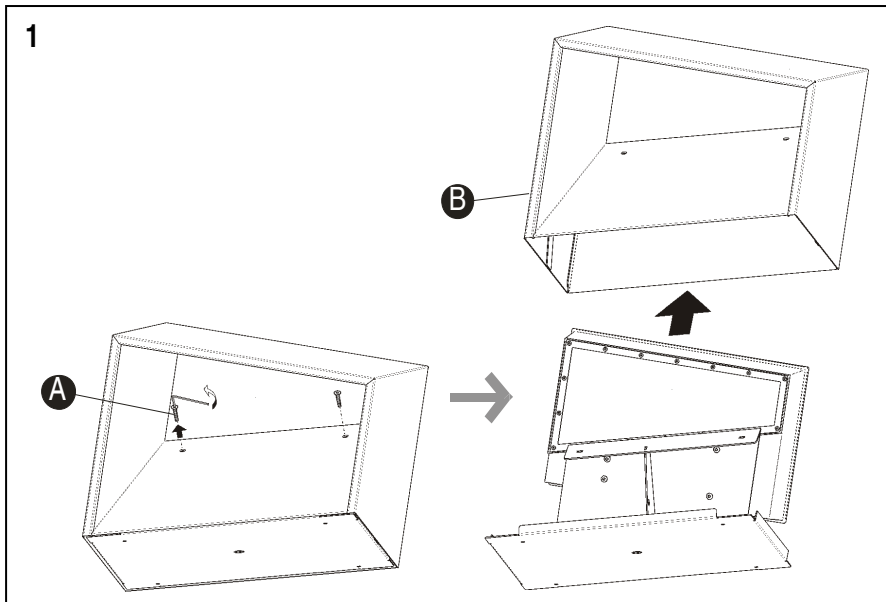


Product that CAN be in contact with normally-flammable materials (wood or others).

Caution

Before assembling and installing this product, carefully read the following:

- Switch of the mains before installing the lamp.
- Always use the recommended bulb
- If you wish to fix the lamp to the ground, choose the most adequate plugs and screws depending on the surface.
- Before the installation, make sure the installation surface will not be damaged. If this happens, it will be the installer's responsibility.
- We recommend reading the manual before installing the lamp. Keep this instructions for future reference since they contain information on bulb replacing and maintenance.



IMPORTANT NOTICE:
Switch of the mains before installing the lamp.

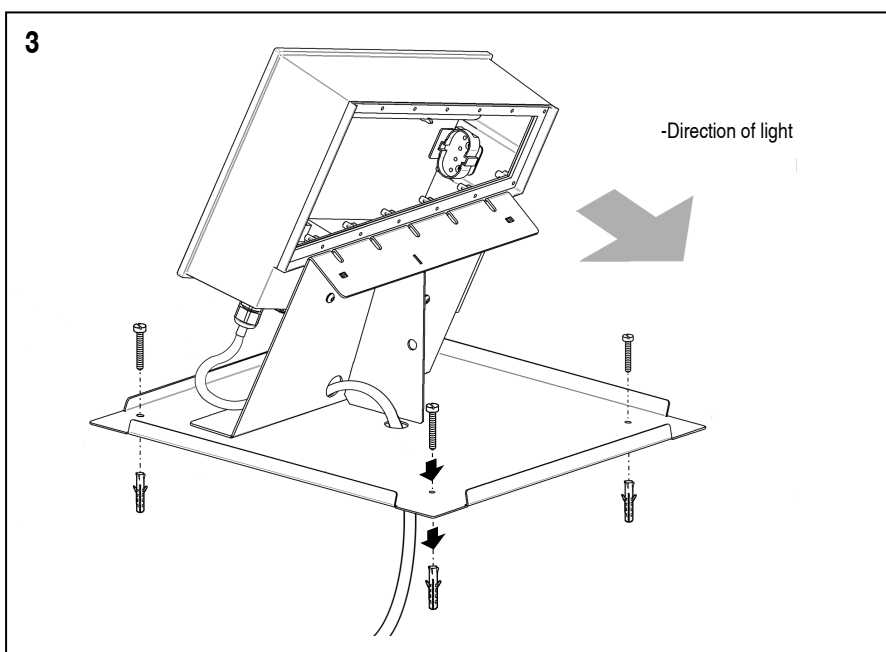
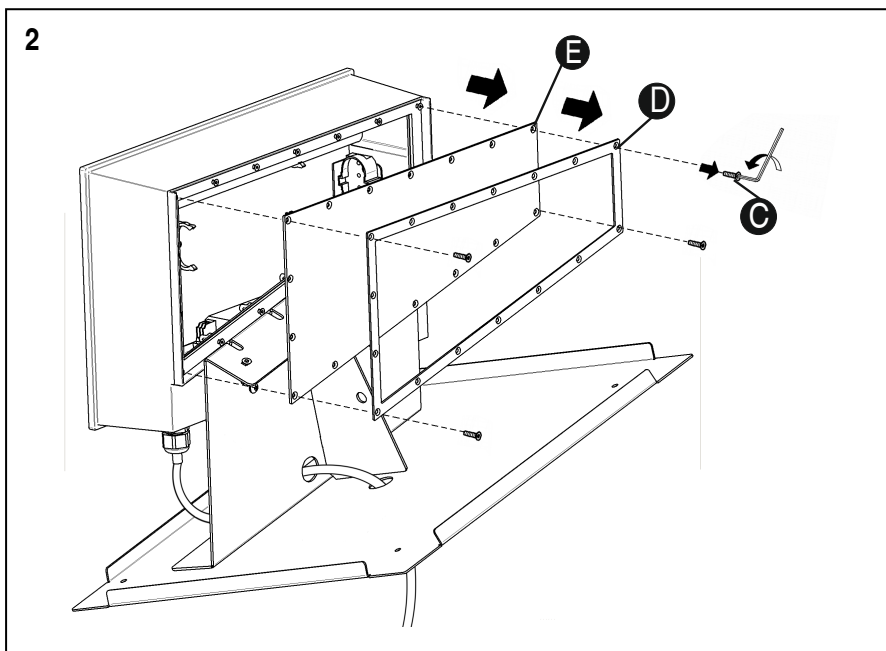
1. Remove the two screws (A) with the large-sized allen key supplied, take firm hold of the casing (B) and pull up to release it.

2. Unscrew the four screws (C) with the small allen key supplied to remove the frame (D) and the diffuser (E).

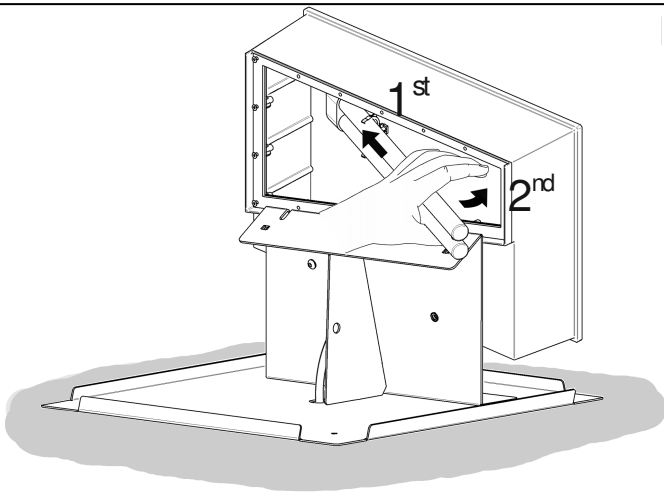
3. Fix the base to the ground with suitable screws and plugs (not supplied).

Before securing the base bear in mind the direction of the shaft of light from the fitting once it is installed.

Connect the ensuring a watertight connection in your junction box.



4

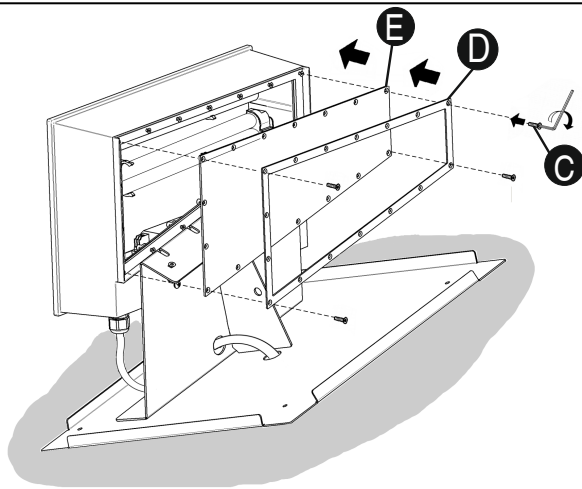


4. Install the fluorescent strips.

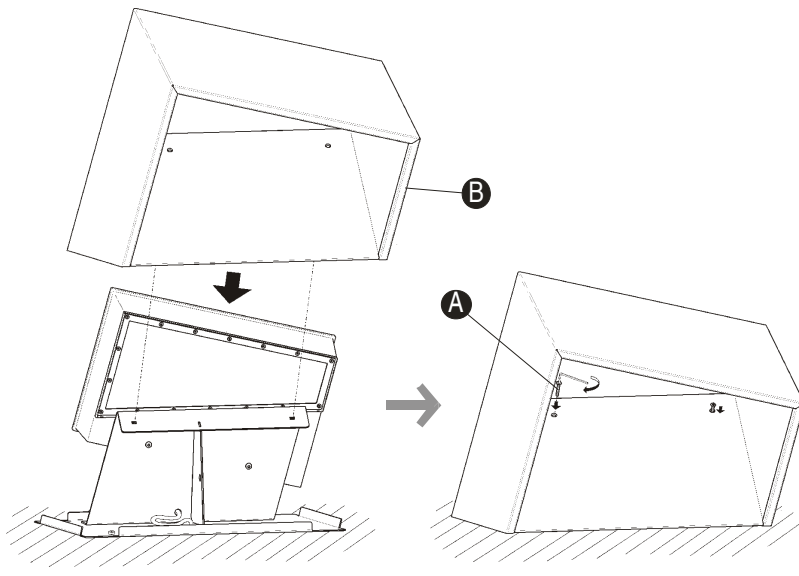
5. Fit the diffuser (E) and the frame (D), and secure them using the screws (C), the 4 which were removed in step 3 plus a further 12 supplied in a bag. Tighten them firmly and evenly to ensure the unit is waterproof.

6. Finally, fit the casing to the base (B), securing it with the two screws (A).

5



6



Maintenance

-Use a slightly-wet cotton cloth for cleaning.

-In case of malfunction or damage, please contact the retailer who sold the lamp.