

Date:

Client:

Project:

VOLA product: KV10



**KV10**

Three-hole mixer combination consisting of 2 pcs. ¼ turn ceramic stop valves S50, swivel spout 090G with water saving aerator, 3 pcs. 60 mm circular flanges 001.

Inlet/Outlet: ½".

Hole cut out size, valves: 28 mm - 35 mm.

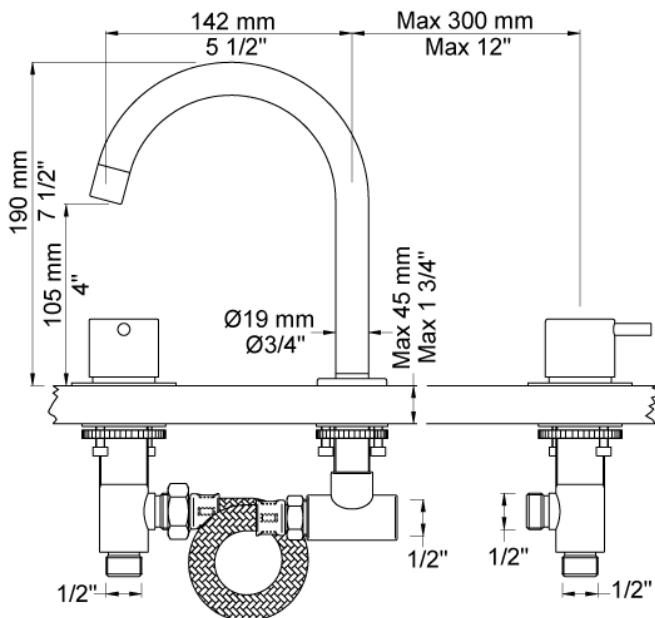
Hole cut out size, spout: 21 mm, max. 29 mm.

**Flow**

	Bar:	1,0	2,0	3,0	4,0	5,0
KV10	(l/min)	9,0	9,0	9,0	9,0	9,0

**Available in colours**

- Color 02, Grey
- Color 04, Light blue
- Color 05, Orange
- Color 06, Light green
- Color 08, Yellow
- Color 09, Dark grey
- Color 12, Mocca
- Color 14, Bright red
- Color 15, Dark blue
- Color 16, Polished chrome
- Color 17, Gloss black
- Color 18, White
- Color 19, Natural brass
- Color 20, Brushed chrome
- Color 21, Carmine red
- Color 25, Pink
- Color 27, Matt black
- Color 40, Brushed stainless steel



Date:

Client:

Project:

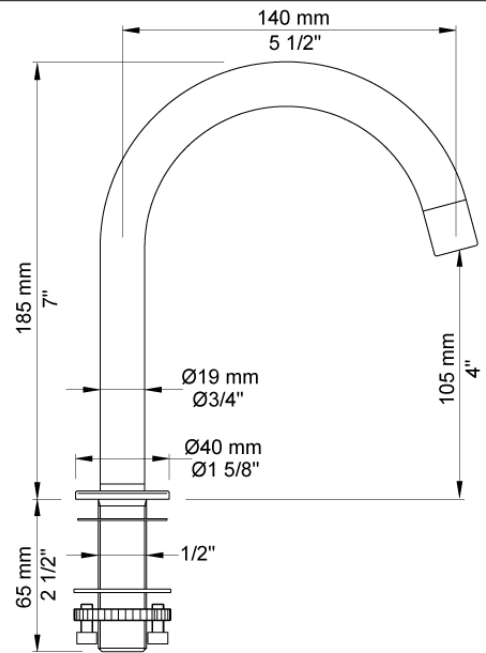
VOLA product: KV10



**090G**

Swivel spout.

Hole cut out size: 21 mm, max. 29 mm.



**S50**

Stop valve with 1/4 turn ceramic disc technology.

Includes non-return valve and 1/2" inlet/outlet.

Hole cut out size: 28 mm max 35 mm.

