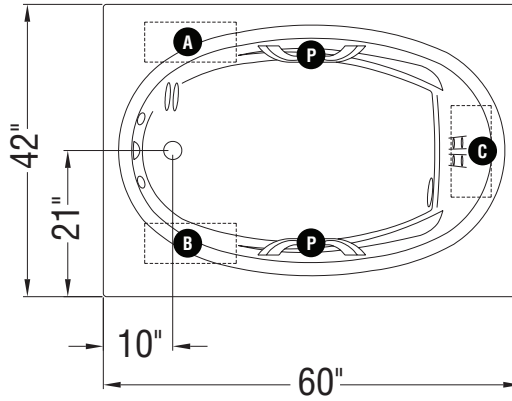
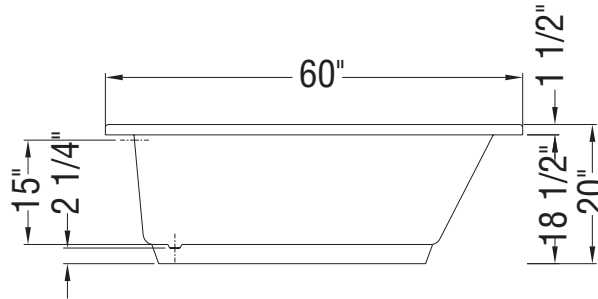
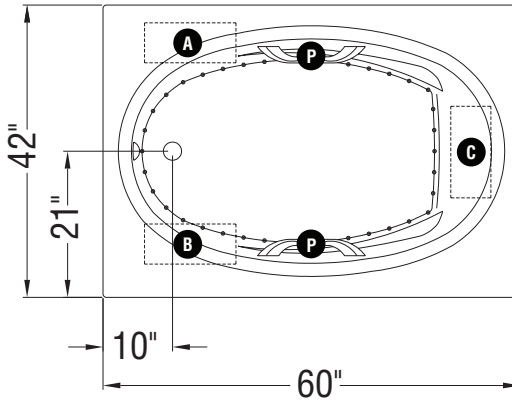


TRUE WHIRLPOOL
SYSTEM



AEROEFFECT
AIR SYSTEM



- A** : Indicates pump or blower positioning
- B** : Indicates pump or blower positioning
- C** : Indicates pump or blower positioning
- P** : Indicates optional grab bars positioning

(○) : Indicates True Whirlpool jets positioning

(●) : Indicates Aeroeffect airjets positioning

* A or B pump location could exceed by one in. on combo.