

Prominence® Pedestal Lavatory

FEATURES

- 26" x 21-1/2"
- SanaGloss® ceramic glaze - prevents debris and mold from sticking to ceramic surfaces, leading to fewer chemicals and less water in cleaning (not avail on Ebony #51.)
- Elegant styling
- 34" Universal Height for maximum comfort
- Rear overflow
- Vitreous china pedestal and lavatory combination complete with mounting hardware

MODELS

- LPT242G
Pedestal lavatory with single hole with SanaGloss (#01, #03, #11, #12)
 - LPT242
Pedestal lavatory with single hole without SanaGloss (#51 only)
 - LPT242.4G
Pedestal lavatory with 4" faucet centers with SanaGloss (#01, #03, #11, #12)
 - LPT242.4
Pedestal lavatory with 4" faucet centers without SanaGloss (#51 only)
 - LPT242.8G
Pedestal lavatory with 8" faucet centers with SanaGloss (#01, #03, #11, #12)
 - LPT242.8
Pedestal lavatory with 8" faucet centers without SanaGloss (#51 only)
- Available Components:
- LT242G - Lavatory with single hole with SanaGloss (#01, #03, #11, #12)
 - LT242 - Lavatory with single hole without SanaGloss (#51 only)
 - LT242.4G - Lavatory with 4" faucet centers with SanaGloss (#01, #03, #11, #12)
 - LT242.4 - Lavatory with 4" faucet centers without SanaGloss (#51 only)
 - LT242.8G - Lavatory with 8" faucet centers with SanaGloss (#01, #03, #11, #12)
 - LT242.8 - Lavatory with 8" faucet centers without SanaGloss (#51 only)
 - PT243 - Pedestal only, with mounting hardware

COLORS/FINISHES

- #01 Cotton
- #03 Bone
- #11 Colonial White
- #12 Sedona Beige
- #51 Ebony (not available in SanaGloss)



SanaGloss

Faucet sold separately

CODES/STANDARDS

- Meets and exceeds ASME A112.19.2/CSA B45.1
- Certifications: IAPMO(cUPC), State of Massachusetts, City of Los Angeles, and others
- Code compliance: UPC, IPC, NSPC, NPC Canada, and others



PRODUCT SPECIFICATION

The lavatory shall be 26" by 21-1/2". The basin shall be 23-1/8" by 14-3/4". The lavatory shall be made of vitreous china and be 34" universal height with rear overflow. The LPT242G lavatory shall have SanaGloss glazing. Lavatory shall be TOTO Model LPT242_____.

LPT242(G)

Prominence® Pedestal Lavatory

SPECIFICATIONS

- Waste 1-1/4" O.D.
- Size 26" x 21-1/2"
- Basin 23-1/8" x 14-3/4"
- Height: Floor to Rim 34"
- Warranty One Year Limited Warranty
- Material Vitreous china
- Shipping Weight LT242(G)/LT242.4(G)/LT242.8(G)
46 lbs.

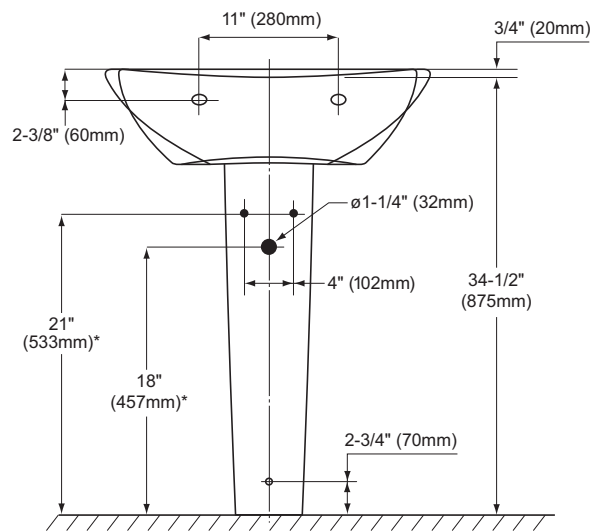
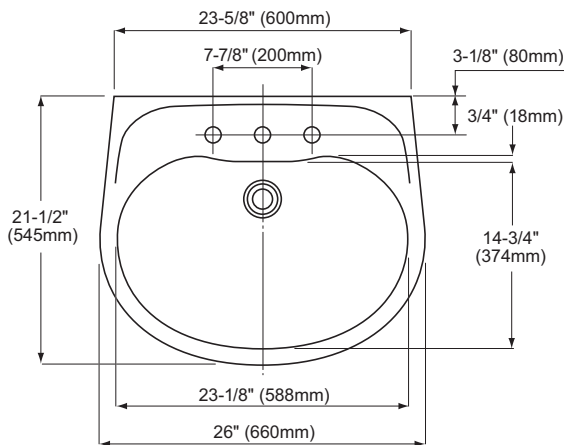
PT243
20 lbs.

- Shipping Dimensions LT242(G)/LT242.4(G)/LT242.8(G)
27-1/8" L x 23-1/2" W x
10-1/2" H

PT243
25-3/4" L x 9-7/8" W x 10" H

INSTALLATION NOTES

Requires PT243 pedestal for support. Use proper back support to mount product.



TOTO®

These dimensions and specifications are subject to change without notice