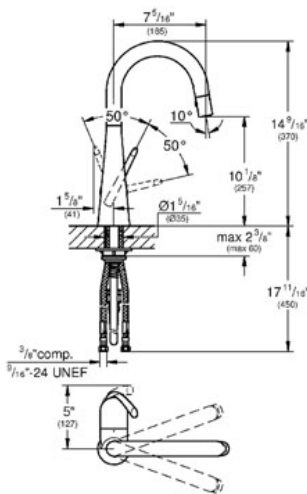


LADYLUX3 PRO  
Single-lever sink mixer 1/2"  
MODEL # 32283

Pure Freude an Wasser



GROHE America, Inc | 200 North Gary Avenue, Suite G, Roselle, IL 60172  
Phone: +1 (800) 444-7643 | Fax: +1 (800) 225-2778 | us-customerservice@grohe.com



**Product Description:**  
Single-lever sink mixer 1/2"

**Standard Specification:**

- GROHE StarLight® finish
- GROHE SilkMove® ceramic cartridge
- GROHE SuperSteel Infinity Finish™
- GROHE RealSteel® Stainless Steel Construction produced from 304 stainless steel
- SpeedClean anti-lime system
- Single hole installation
- Swivel Spout
- Adjustable flow rate limiter
- Dual Spray Pull-Out
- Automatic returning
- Integrated non-return valve
- Diverter: aerator/shower jet
- Automatic return to aerator
- Stainless Steel Braided Flexible Supplies
- Quick installation system
- Protected against backflow
- Forward rotation lever, does not hit backsplash
- Max Flow Rate 1.75 gpm (6.6 L/min)

**Applicable Codes & Standards:**

- Energy Policy Act of 1992
- NSF 61
- ASME A112.18.1/CSA B125.1
- US Federal and State material regulations
- ICC/ANSI A117.1
- CalGreen

**Color:**

- 32283 000 chrome
- 32283 00E laser
- 32283 DC0 supersteel
- 32283 SDE stainless steel
- 32283 SD0 GROHE RealSteel®
- 32283 DCE supersteel