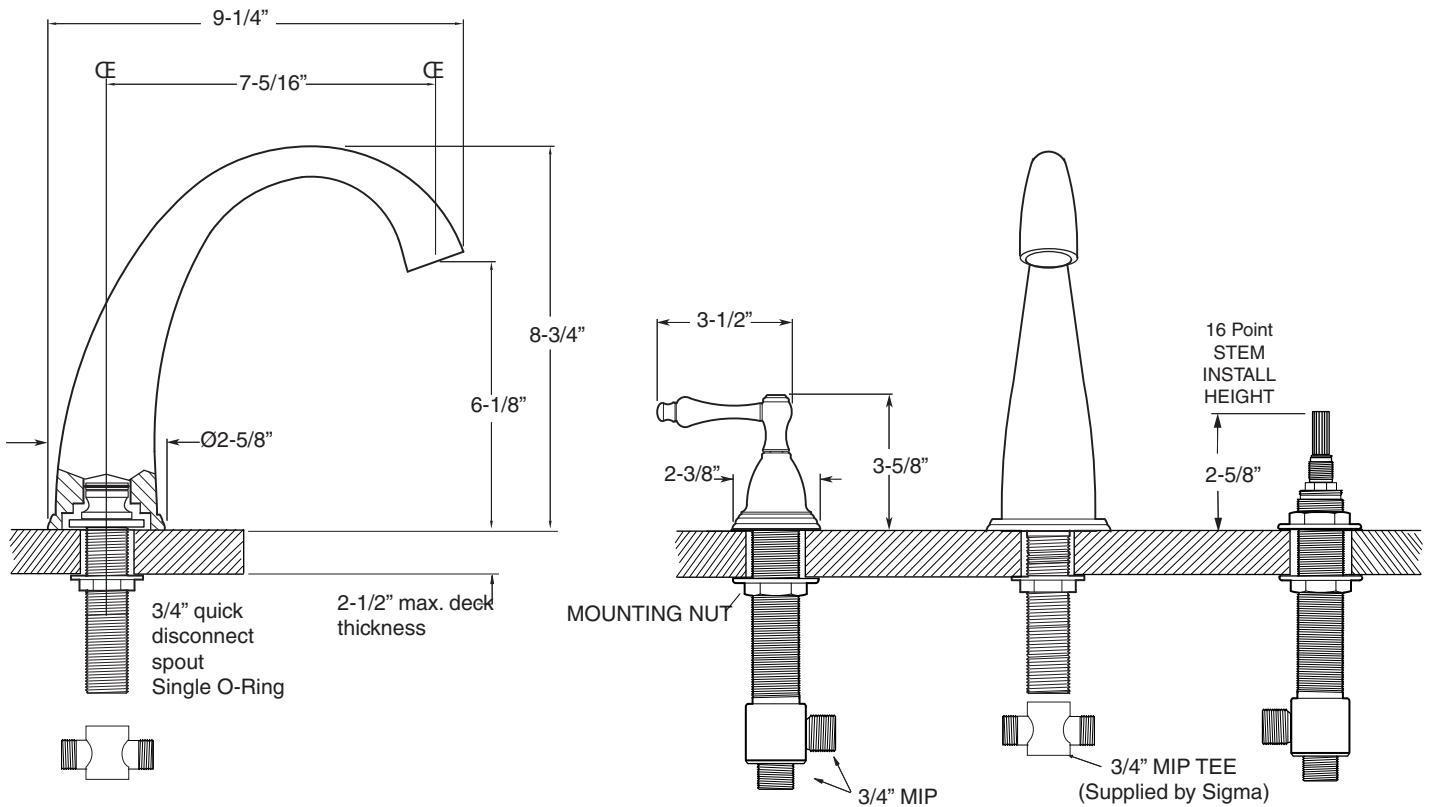


Specifications
Series 200

Montreal
Roman Tub Set
1.201777
1.201777T (Trim only)

FEATURES:

- All brass construction
- Lever style handles with setscrew attachment.
- 3/4" valve bodies with 1/4-turn ceramic disc cartridge.
- Available in all finishes. Warranty varies according to finish selection.
- Certified to meet and exceed the following codes and standards:
ASME A112.18.1-2005/CSAB 125.1-2005 CSA B125



NOTE: Spout and valves install through 1-1/4" diameter holes. Plumber to provide 3/4" supply lines to valves

Note: Measurements are subject to change or cancellation. No responsibility is assumed for use of superseded or voided pages.

Parts List Series 200

Montreal Roman Tub Set

