



Double Type T/P 3/4" coaxial complete valve
CSTM83XX



Specifications

Descriptions

- 2 thermo/pressure balance coaxial cartridges with check valves
- 2 integrated volume controls
- 2 different temperatures
- 4 outlets: two 1/2" outlets male NPT and two 3/4" outlets male NPT or 1/2" female NPT
- 3/4" inlet male NPT
- Stop valves

Available colors

- BN : Brushed nickel (PVD)

Available flows

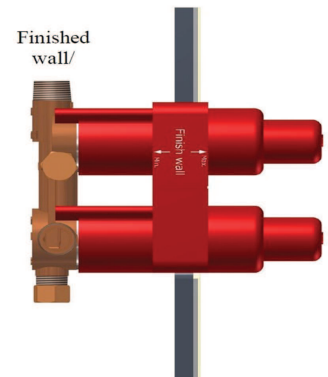
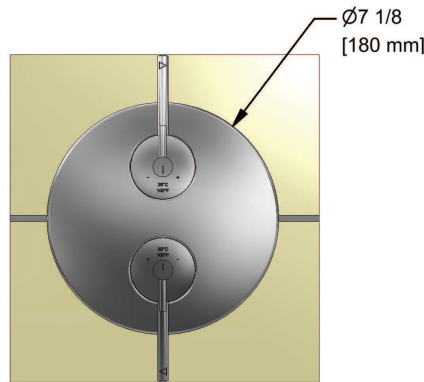
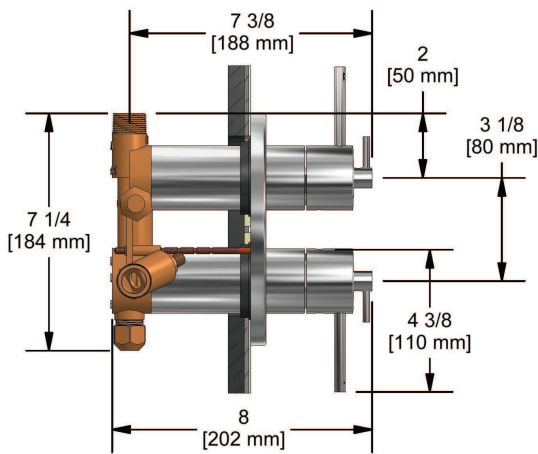
- 76 L/min, 20 gpm (US) 60psi

Cartridges

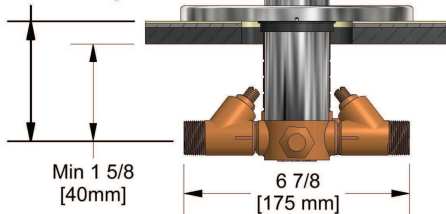
- 0943

Certifications

- CSA B125.1
- ASME A112.18.1
- ASSE 1016
- CMR248 Approval



2 5/8 to/à 4 1/8
 [67mm to/à 105mm]



Finished wall/
 Wall template cut out, finished wall /
 Gabarit de mur pour découpage, mur fini

Sizes, models and finishes may differ from those presented.

Warranty

The Riobel inc. product carries a limited LIFETIME warranty on the finish Chrome, Gold (PVD), Brushed nickel (PVD), Night brushed (PVD), Polished nickel (PVD) and all working parts and is guaranteed from the initial date of purchase against all manufacturing defects. Other finished 1 year.

Customer Service

Ontario, West Canada : 888-287-5354 Quebec, Maritimes, United States : 866-473-8442