

# ELKAY® SPECIFICATIONS

## Pursuit™ Laundry/Utility Free Standing Sink Model PLA8136

### GENERAL

Highest quality sink formed of #14 gauge, type 316 nickel bearing stainless steel. Free standing.

### DESIGN FEATURES

Bowl Depth: 14".

Coved Corners: 1/4" vertical and horizontal radius.

Finish: Exposed surfaces are hand blended to a lustrous satin finish.

Underside: Sound dampening pad applied to underside.

Backsplash: Full length 8" high, 2" thick.

Support: 304 stainless steel, 1-5/8" O.D. tubular legs, #16 gauge wall thickness. With adjustable bullet feet.

### OTHER

Drain Opening: 3-1/2".

NOTE: Unless otherwise specified, sink is furnished with 2 1-1/2" diameter faucet holes as shown.

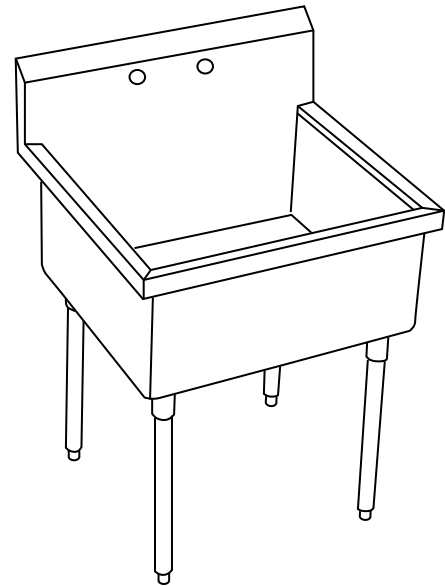
NOTE: Professional installation recommended.

### OPTIONAL ACCESSORIES

Drains: LK335, LK372.

Rinsing Basket: LKWERBSS.

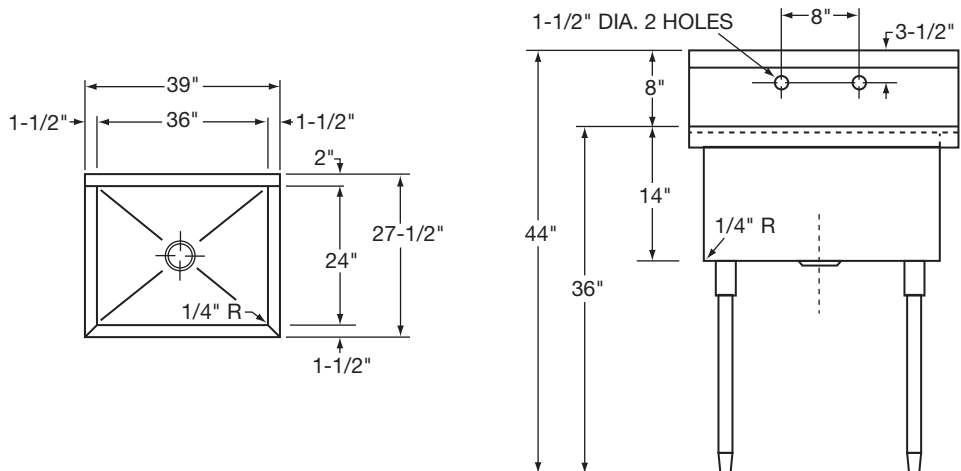
Utensil Caddy for Rinsing Basket: LKWUCSS.



### SINK DIMENSIONS (INCHES)\*

Model Number	Overall		Inside Compartment		
	L	W	L	W	D
PLA8136	39	27 1/2	36	24	14

\*Length is left to right. Width is front to back.



**INDICATE NUMBER OF FAUCET HOLES WHEN PLACING ORDER. (NON-STANDARD FAUCET AND OVERFLOW DRILLING LOCATIONS ARE AVAILABLE. SPECIFY ON DRAWING ABOVE.)**

ALL DIMENSIONS IN INCHES, TO CONVERT TO MILLIMETERS MULTIPLY BY 25.4.

*In keeping with our policy of continuing product improvement, Elkay reserves the right to change product specifications without notice.*

*This specification describes an Elkay product with design, quality and functional benefits to the user. When making a comparison of other producers' offerings, be certain these features are not overlooked.*

**Elkay**

elkayusa.com

2222 Camden Court  
Oak Brook, IL 60523

Printed in U.S.A.  
©2007 Elkay

(12/07)

1-290