

FEATURES:

- All brass construction, Independent corner valves
Includes lift & turn style drain assembly.
- Extended wall vessel spout, 10-1/2" long, available P/N: 18.07.018
- Quarter turn ceramic disc valve cartridge.
- Available in all finishes. Warranty varies according to finish selection.
- Certified to meet and exceed the following codes and standards:
ASME A112.18.1-2005/CSAB125.1-2005

Specifications

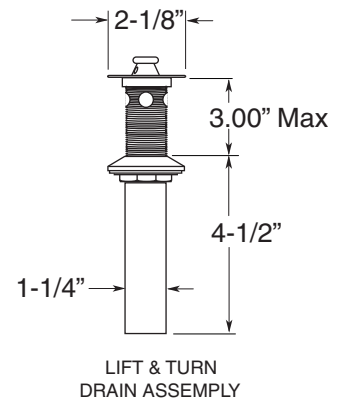
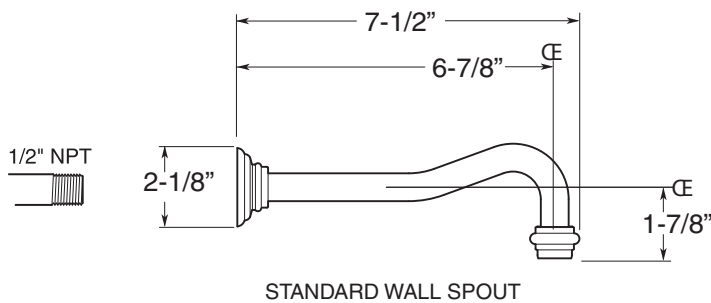
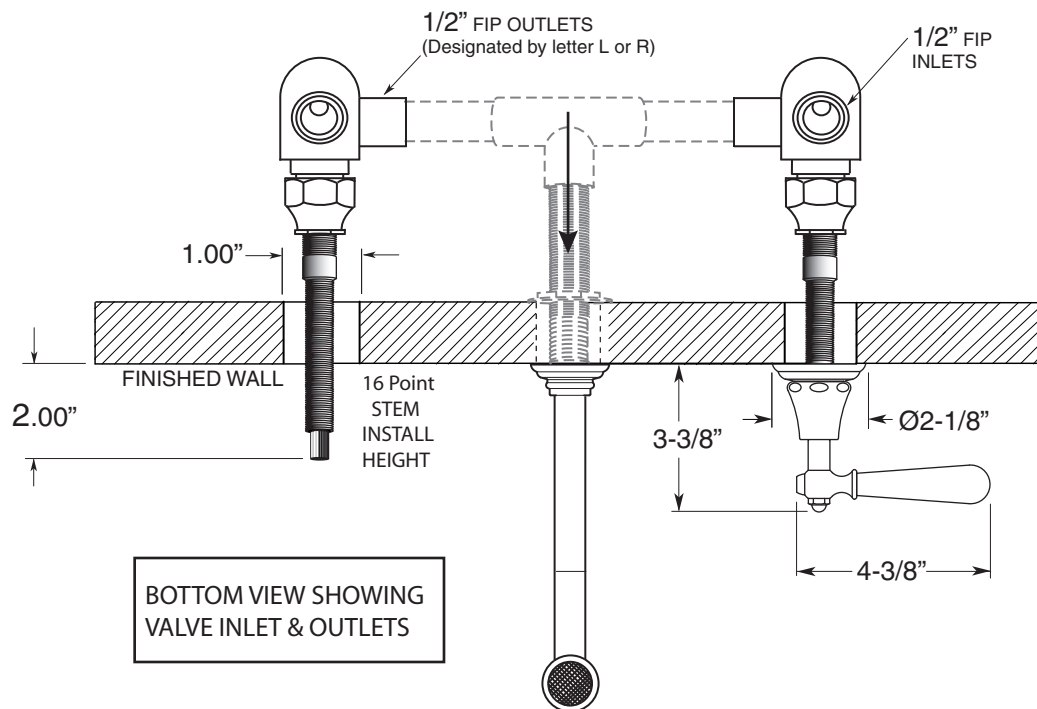
Series 350

Wall/Vessel Lav Set

Loire Handle

1.355607S

(1.355607ST - Trim Only)



Note: Measurements are subject to change or cancellation. No responsibility is assumed for use of superseded or voided pages.