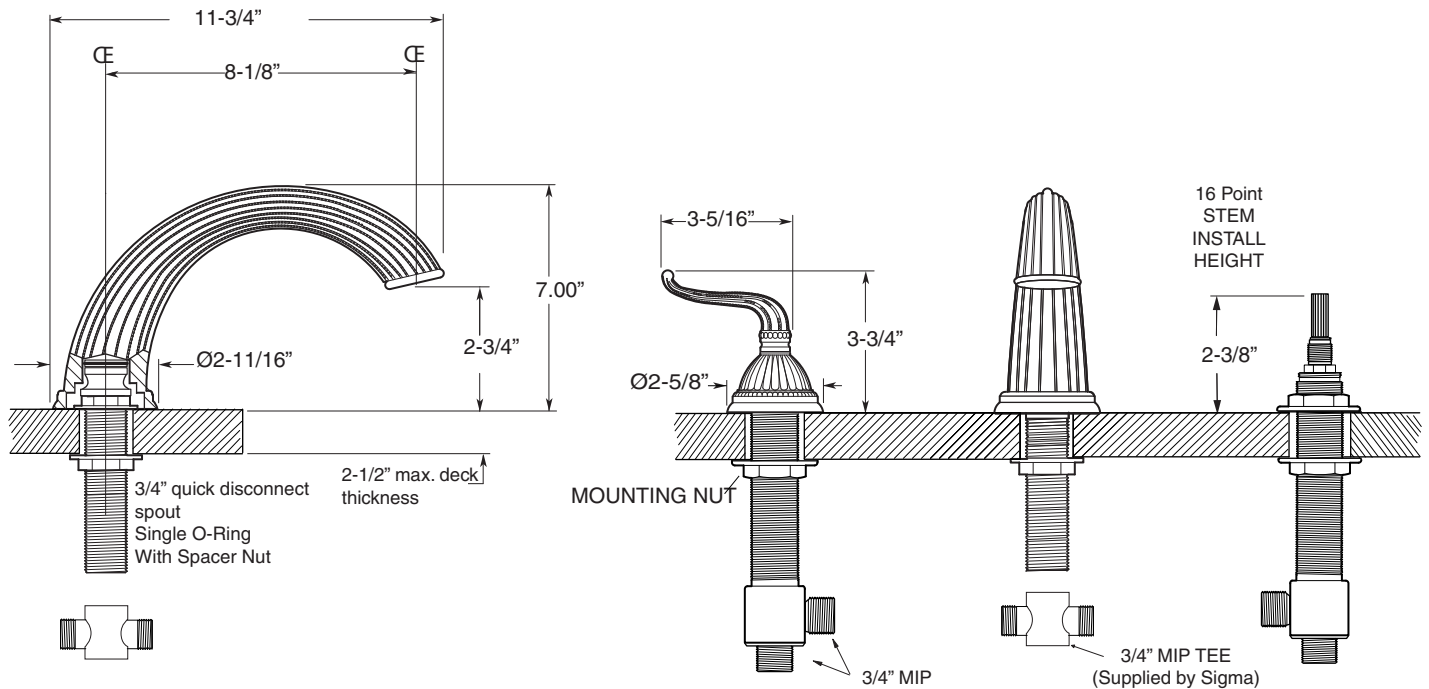


FEATURES:

- All brass construction.
- Chased lever style handles with setscrew attachment.
- 3/4" valve bodies with 1/4-turn ceramic disc cartridge.
- Available in all finishes. Warranty varies according to finish.
- Certified to meet and exceed the following codes and standards:
ASME A112.18.1-2005/CSAB 125.1-2005

TechData
Specifications
Series 3200

Jefferson Elite II
Roman Tub Set
1.320277
(1.320277T - Trim only)



NOTE: Spout and valves install through 1-1/4" diameter holes.
Plumber to provide 3/4" supply lines to valves

Parts List
Series 3200

Jefferson Elite II
Roman Tub Set

