



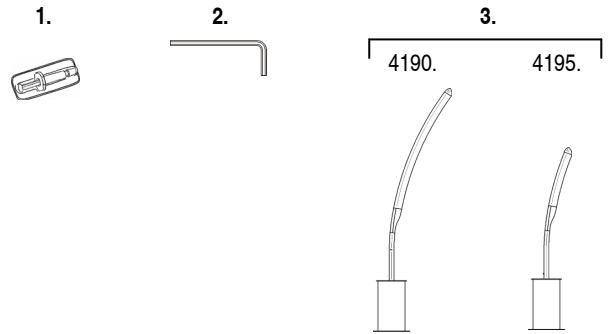
Halley

Design by Jordi Vilardell & Meritxell Vidal

VIBIA
LIGHTING THAT MAKES SENSE







ASSEMBLY INSTRUCTIONS

SUPPLIED MATERIAL



	4190	4195
1 Tube of thermal grease	1 un.	1 un.
2 Allen key	1 un.	1 un.
3 Lamp structure	1 un.	1 un.

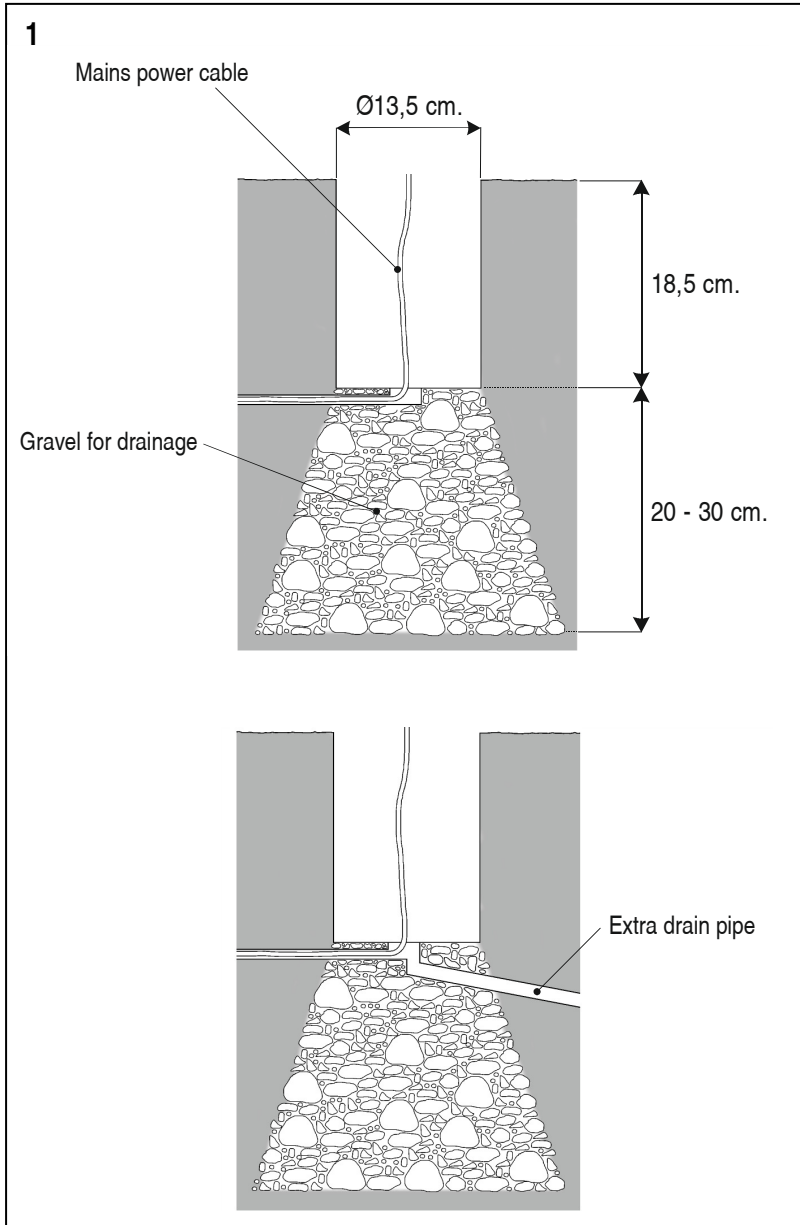
TECHNICAL SPECIFICATIONS

4190. Net Weight	1,5 Kg	 1 x LED STRIP 24V 5,7W	   	 Class I. Product with an additional protection cable (grounds).
4195. Net Weight	1,3 Kg	 1 x LED STRIP 24V 2,8W	   	 IP65 Dust-tight product. Protected against water trickles.  Product that CAN be in contact with normally-flammable materials (wood or others).

Caution

Before assembling and installing this product, carefully read the following:

- Switch of the mains before installing the lamp.
- If the steel cable or the power cord of this lamp is damaged, it must be replaced only by the manufacturer or their technical service or by a person capacitated to this effect to avoid any risk.
- We recommend reading the manual before installaing the lamp. Keep this instructions for future reference.



IMPORTANT NOTICE:

Caution : to avoid possible electrical shock, make certain electricity is shut off at main panel before wiring

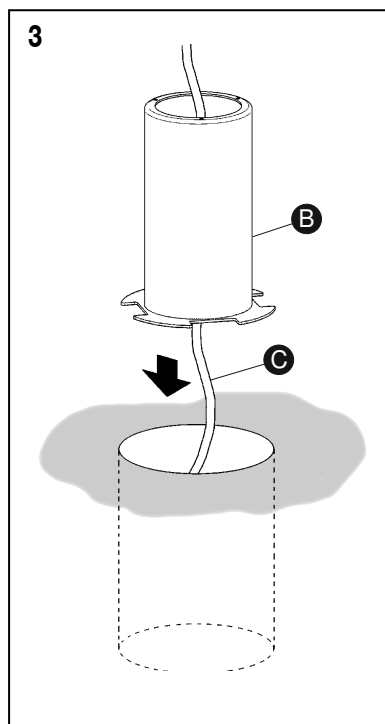
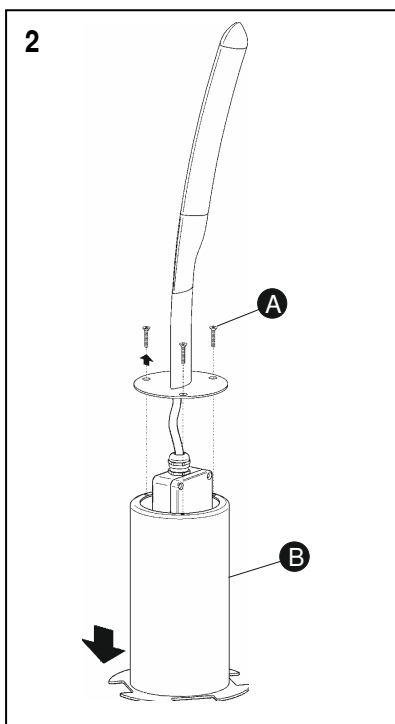
1. Make a hole in the ground of Ø13.5cm and 18.5cm deep to set the casing (B) into, and provide a gravel drainage system 20-30cm deep if the ground is sandy. If the lamp is to be set into concrete, provide for the most suitable drainage system.

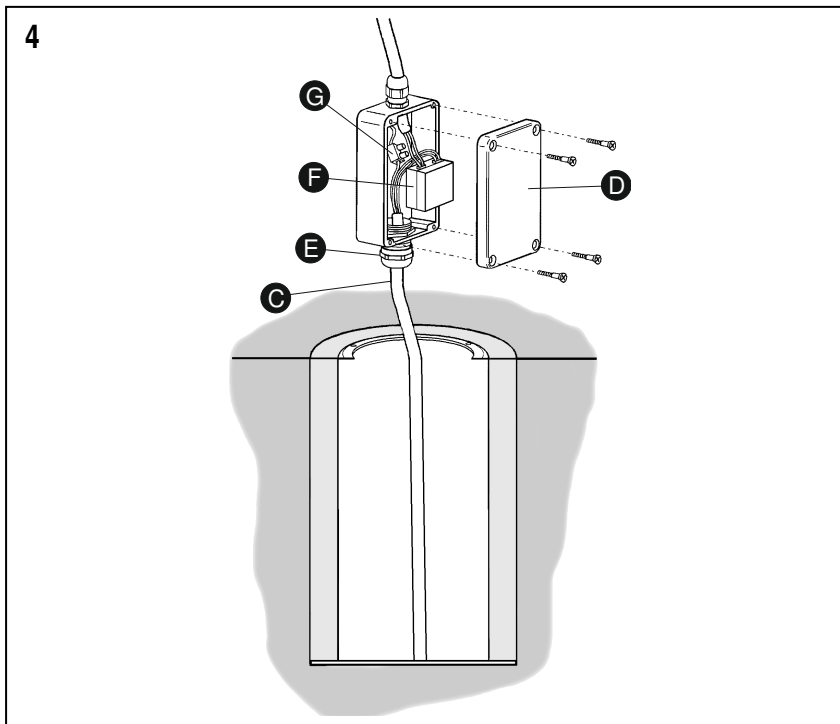
IMPORTANT: Carry out a trial by filling the hole with water and waiting 30 minutes; if the water has not drained away completely by this time, fit an extra drainage system.

2. Remove the three screws (A) y extract the part (B).

3. Insert the casing (B) in the resulting hole, running the power cable (C) through inside it and fill the hole to make it even with the surrounding surface. Enough length of cable must stick out above the ground to make the power connection.

NOTE: Before filling in with cement, make sure the threaded holes in the top are in the right position for the light fitting to face in the desired direction once installed.





4. Connect to the mains:

Step 1: Remove the 4 screws from the wiring box and open up the cover (D).

Second: Loosen the cable gland (E) in order to insert the cable (C) into the wiring box.

Third: Make the electrical connection, phase+neutral in the box (F) and grounding to the terminal (G).

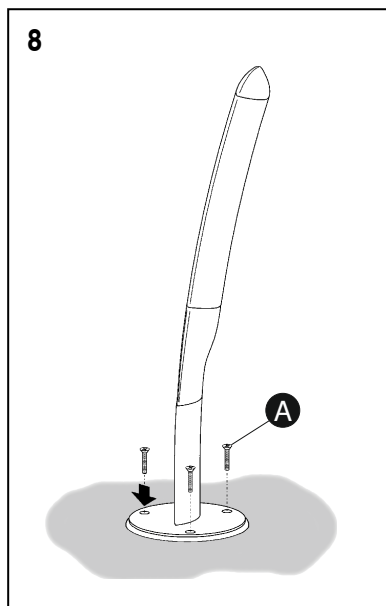
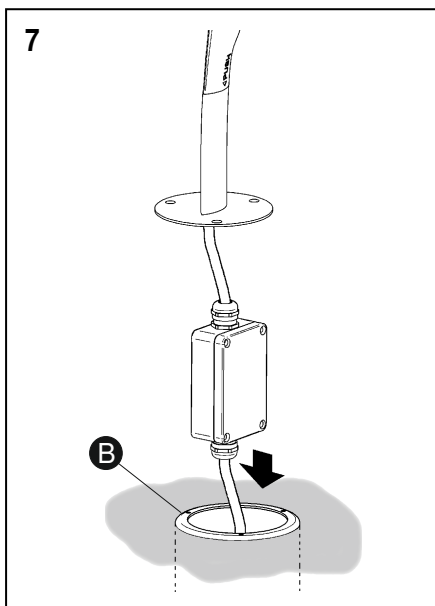
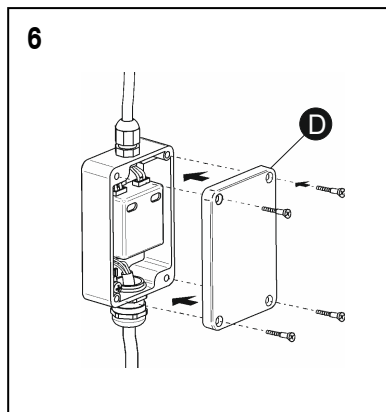
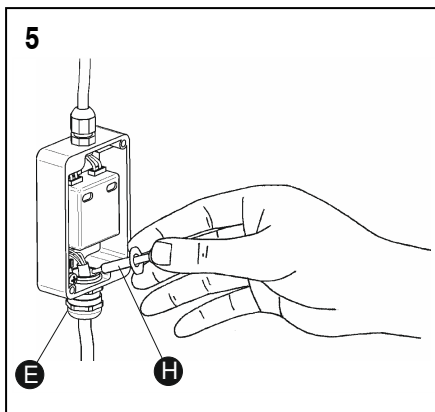
IMPORTANT: This model is ready for direct connection to an IP 65-class power point. The cable used must be H05 RN-F <HAR> or better rubber, between 7 and 12mm in diameter.

5. After making all the connections, tighten up the cable gland (E) firmly once more. You are advised to seal where the mains power cable enters the box as shown in the drawing, using the syringe of thermal silicon grease supplied (H).

6. Fit the cover (D) with the 4 screws and remember to tighten the cable gland to ensure it is sealed.

7. Insert the closed connection box and adjust the cables inside the part (B).

8. Fix in place using the three screws (A).



Maintenance

-Use a slightly-wet cotton cloth for cleaning.

-In case of malfunction or damage, please contact the retailer who sold the lamp.