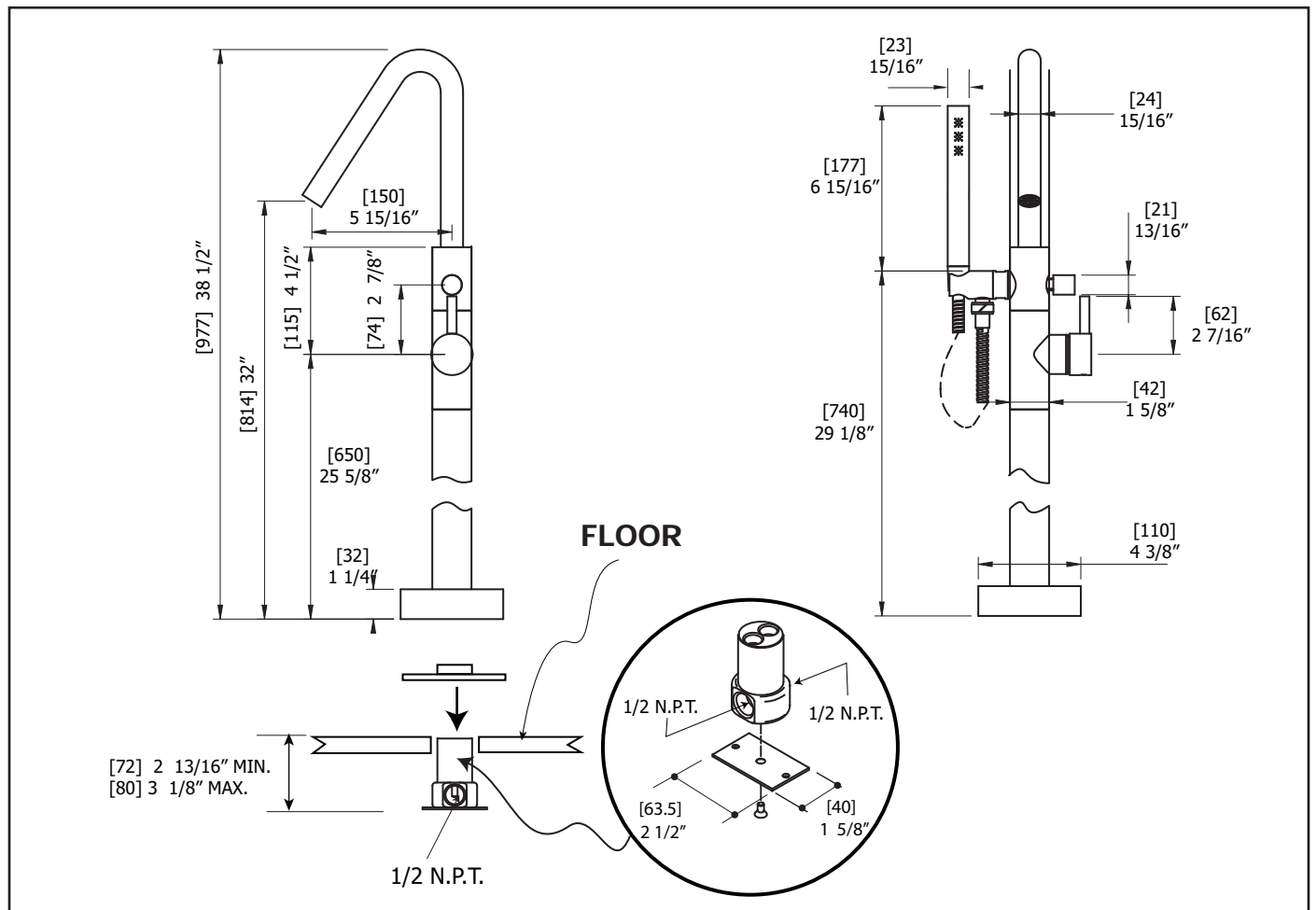


#### TECHNICAL SPECIFICATIONS

#### FEATURES:

- Solid brass construction
- High quality finishing
- 5 GPM water conservation aerator
- Single lever control
- Handshower



## SERVICE PARTS

