



Halley

Design by Jordi Vilardell & Meritxell Vidal

VIBIA
LIGHTING THAT MAKES SENSE

ASSEMBLY INSTRUCTIONS

SUPPLIED MATERIAL



	4150
1 Carry bag	1 un.
2 Big base	1 un.
3 Small base	1 un.
4 Profiles set (A), (B) y (C).	1 un.

TECHNICAL SPECIFICATIONS

4150. Net Weight 18,9 Kg 1 x LED STRIP 24V 21,6W



Class I. Product with an additional protection cable (grounds).



Dust-tight product. Protected against water spray.



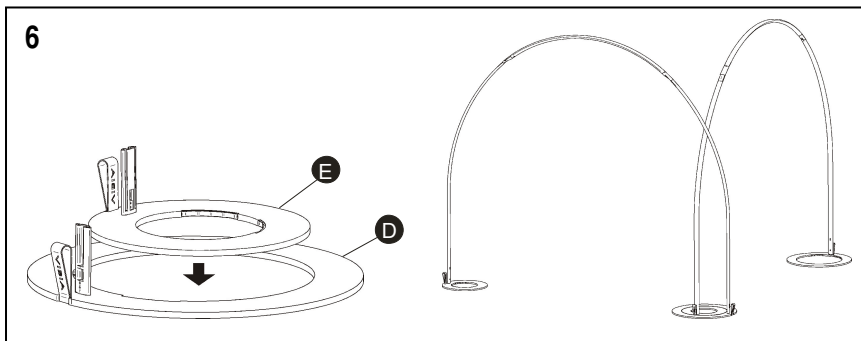
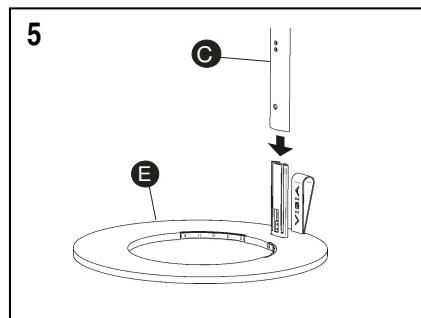
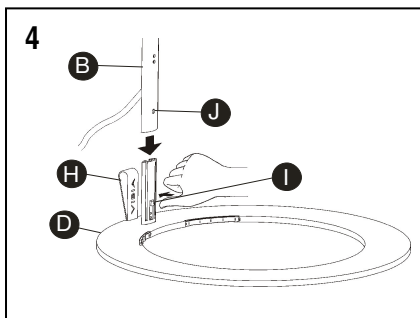
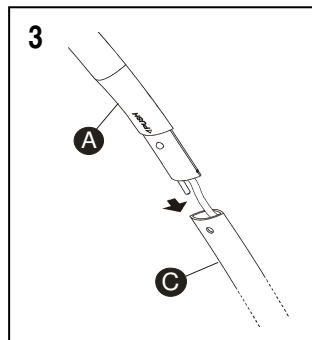
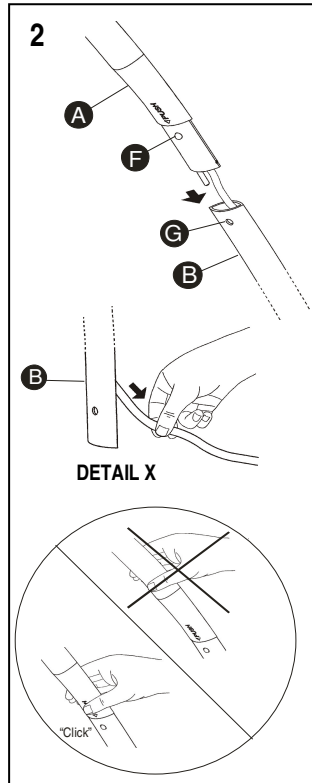
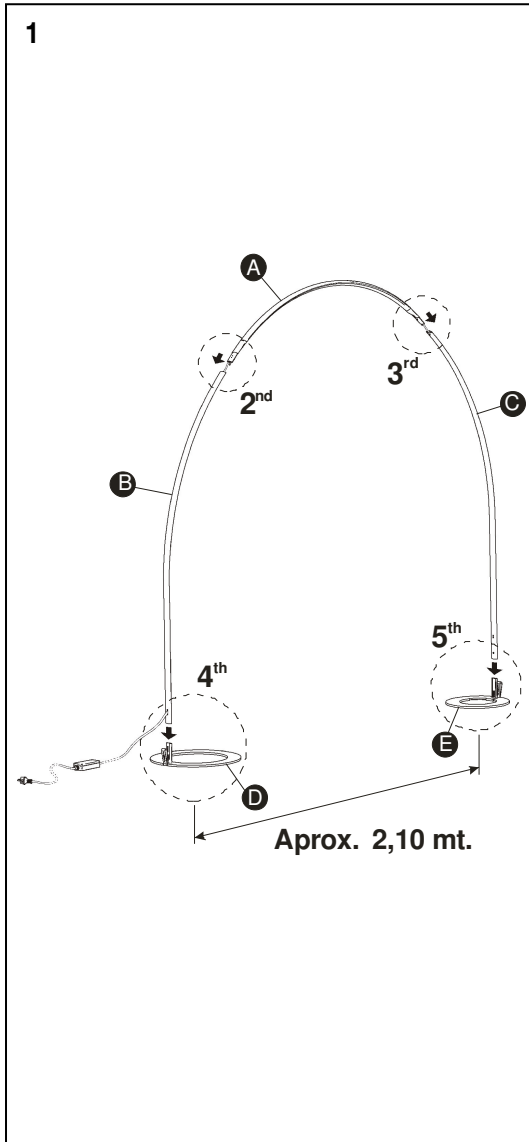
Product that CAN be in contact with normally-flammable materials (wood or others).

Caution

Before assembling and installing this product, carefully read the following:

- At least two people are needed to install and desinstall the lamp.
- If the steel cable or the power cord of this lamp is damaged, it must be replaced only by the manufacturer or their technical service or by a person capacitated to this effect to avoid any risk.
- We recommend reading the manual before installaing the lamp. Keep this instructions for future reference.

ASSEMBLY INSTRUCTIONS



1. Remove the top (A) and side (B and C) profiles from the carry bag. Place the big (D) and small (E) bases where you want to install the lamp. The distance between the center of the bases must be 2.10 mt. approx.

2. Connect the top profile (A) to the side one (B) making sure the release button (F) is in place (G).

NOTE: While assembling the lamp, gently pull the cable on the lower part (see Detail X).

3. Connect the top profile (A) to the side one (C) making sure the release button is in place, just like Step 2.

4. Connect the side profile (B) to the big base (D), with the cable facing the fabric handle (H).

Keep the button (I) pressed when connecting the profile, push downwards until a click is heard and the profile is in place (J).

5. Connect the side profile (C) to the small base (E), keeping the button pressed and the profile is in place, just like in Step 4.

6. Several lamp can be connected together to create multiple compositions by joining the base. Small bases (E) can be fitted into the inner space of the big one (D).

Maintenance

-Use a slightly-wet cotton cloth for cleaning.

-In case of malfunction or damage, please contact the retailer who sold the lamp.