

Date:

Client:

Project:

VOLA product: 2201

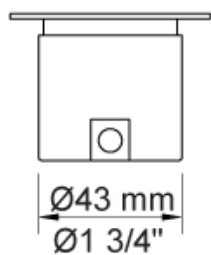
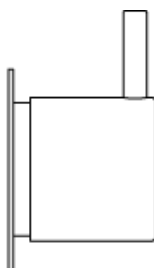
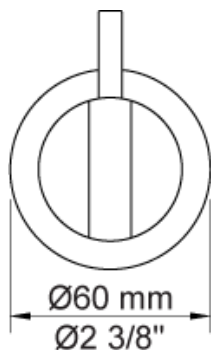


2201

One-handle build-in mixer with ceramic disc technology.
 2201UP = Build-in mixer 2200V.
 2201AP = Handle NR21, 60 mm circular flange 2001.

Flow

	Bar:	1,0	2,0	3,0	4,0	5,0
2200V	(l/min)	14,4	20,4	25,0	28,9	32,3



Available in colours

- Color 02, Grey
- Color 04, Light blue
- Color 05, Orange
- Color 06, Light green
- Color 08, Yellow
- Color 09, Dark grey
- Color 12, Mocca
- Color 14, Bright red
- Color 15, Dark blue
- Color 16, Polished chrome
- Color 17, Gloss black
- Color 18, White
- Color 19, Natural brass
- Color 20, Brushed chrome
- Color 21, Carmine red
- Color 25, Pink
- Color 27, Matt black
- Color 40, Brushed stainless steel

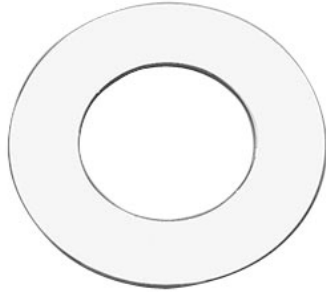


Date:

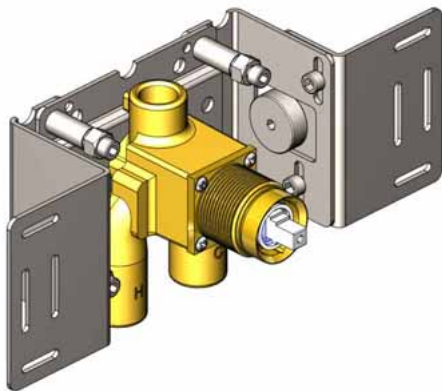
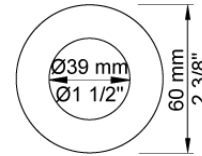
Client:

Project:

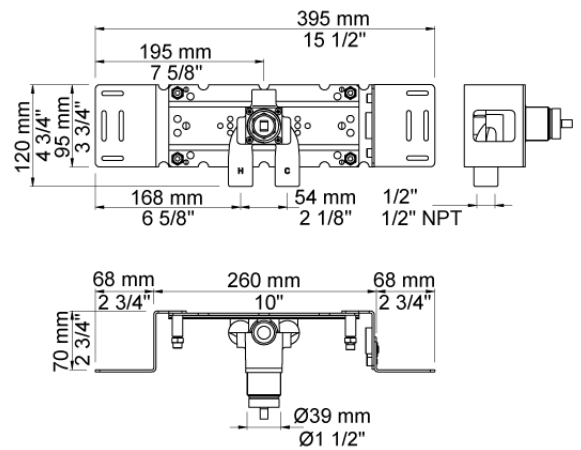
VOLA product: 2201



2001
60 mm circular flange.
Hole Ø39 mm.



2200V
One-handle build-in mixer for high flow.
1/2" connection to copper, steel, iron or pex pipe work.



NR21
Operating handle for 2100, 2200, 2300, 2400
incl. variants. Ø43 mm.

