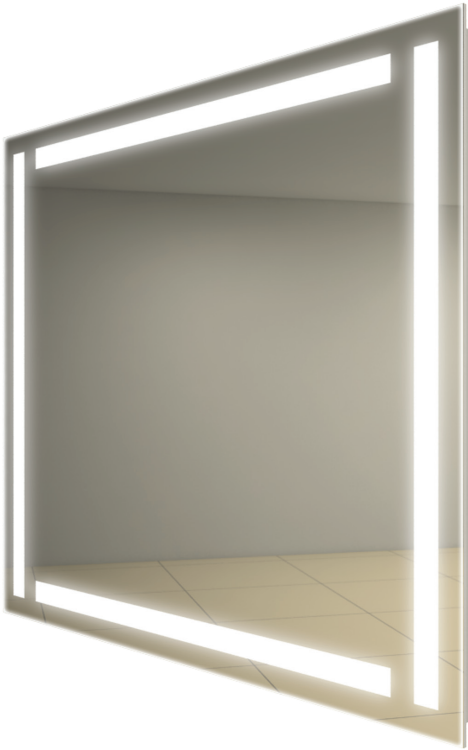


EFINITY™ LIGHTED MIRROR

Hospitality Performance Specification



The eFinity™ Lighted Mirror is an eclectic pairing of modern simplicity and functionality. Color-correcting light radiates through the glass, providing a perfect environment to prep for day or evening.

THERE'S ONLY ONE ELECTRIC MIRROR™

Electric Mirror is the global leader in lighted mirrors and Mirror TV technology. With unparalleled customer service and amazing innovation, Electric Mirror is the standard of luxury for five-star hotels, upscale commercial projects and designer homes.

FEATURES

- Elife™-8 Years extended lamp replacement cycle
- EnergyLite™-Half the energy with equal light output*
- Natural light color ideal for makeup application
- HardCoat™ anti-corrosion mirror treatment
- Rust resistant powder coated metal construction
- Environmentally sustainable and energy efficient
- Proudly made in the USA
- Patented (US 7,853,414)
- Stainless steel hanger
- Welded Construction

LIGHTING

- Low-Mercury T5HO warm fluorescent (US Made)
- CRI 85
- CCT (K) 3000
- Average lamp life of 20,000 hours for Circline lamps and 35,000 hours for T5HO
- 50,000 cycle ballast

OPTIONS

- Diamond Clear™ extra white mirror
- Dimmable - Separate wall control required (Not available on 21" x 36" or 18" x 44" sizes)
- Defogger
- Night Light
- Add TV (See eFinity™ Lighted Mirror TV)
- Custom Sizes
- Glass Shelf
- LED Digital Clock (Available for three sizes)
- LED Lighting
- Wall Glow with Side Diffusers

SAFETY

- Tested to UL/UL-C 1598 including section 16.23 (adhesive support test)
- International Certifications
- Safety backed mirror

*Effective 2013

© 2012 ELECTRIC MIRROR®

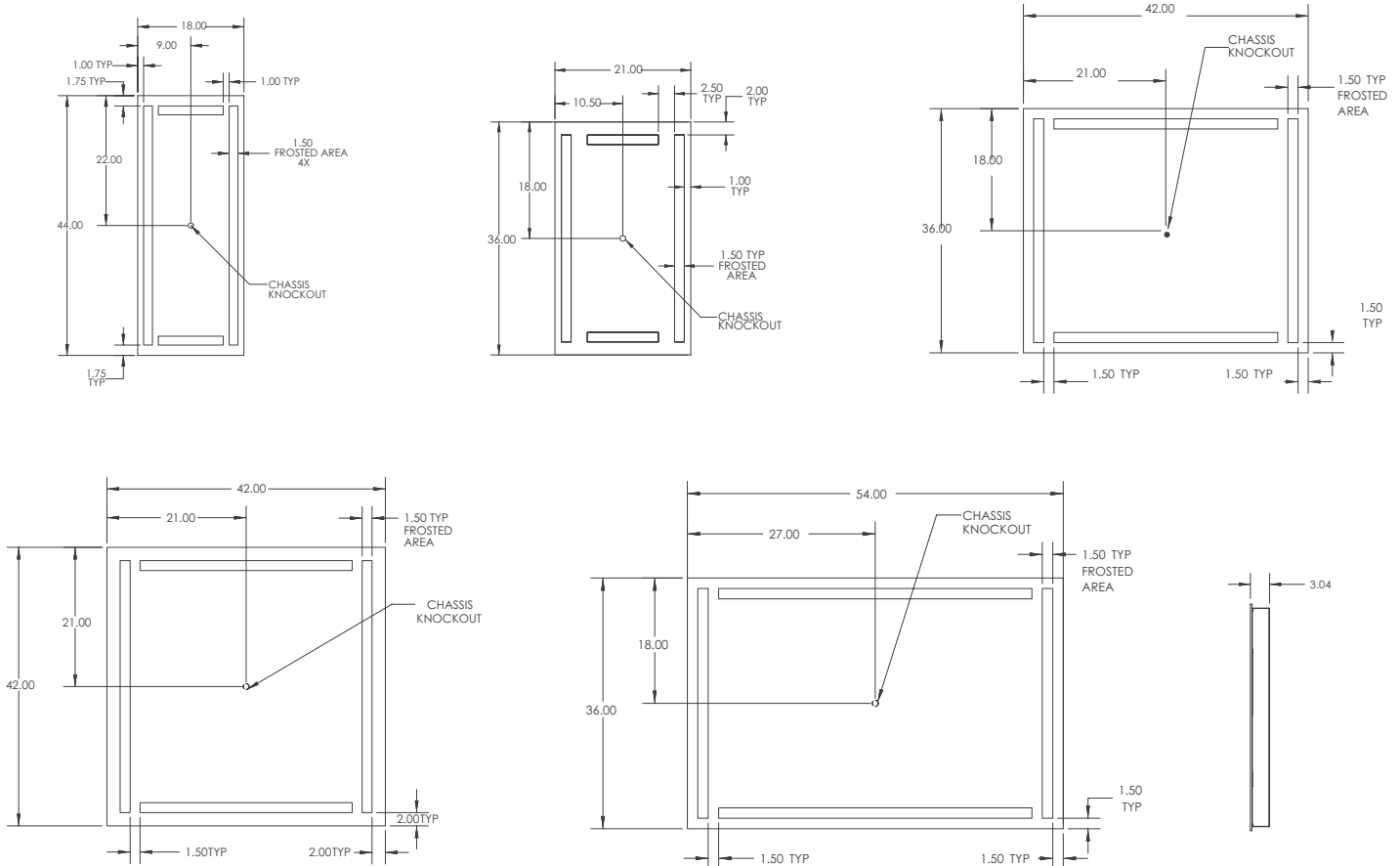
EFINITY™ LIGHTED MIRROR

Hospitality Performance Specification

SPECIFICATION

- The top of the lighted mirror above the bathroom vanity should be a minimum of 6' 6" above the finished floor.
- Electrical connections made with MC cable brought through the chassis knockout, no electrical box required.
- Electrical power should be controlled by a light switch.
- Fixture should be mounted to wall studs to provide sufficient support. Mounting holes are provided in the chassis.

MODEL NUMBER	DIMENSIONS	POWER REQUIREMENTS	LAMPING
EFI-18.00x44.00	18" W x 44" H x 1.75" D 457mm x 1,118mm x 76mm	120 - 277 VAC, 1.5 - .59 Amps, 165W	3 x T5 Circline, 55W
EFI-21.00x36.00	21" W x 36" H x 1.75" D 533mm x 914mm x 76mm	120 - 277 VAC, 1.0 - .40 Amps, 110W	2 x T5 Circline, 55W
EFI-42.00x36.00	42" W x 36" H x 3" D 1,067mm x 914mm x 76mm	120 - 277 VAC, 1.3 - .56 Amps, 156W	4 x T5HO, 39W
EFI-42.00x42.00	42" W x 42" H x 3" D 1,067mm x 1,067mm x 76mm	120 - 277 VAC, 1.3 - .56 Amps, 156W	4 x T5HO, 39W
EFI-54.00x36.00	54" W x 36" H x 3" D 1,372mm x 914mm x 76mm	120 - 277 VAC, 1.69 - .67 Amps, 186W	4 x T5HO, 54W/39W



PROPRIETARY AND CONFIDENTIAL: The information contained in this specification is the sole property of Electric Mirror®. Any reproduction in part or in whole without written permission from Electric Mirror® is prohibited.

© 2012 ELECTRIC MIRROR®