



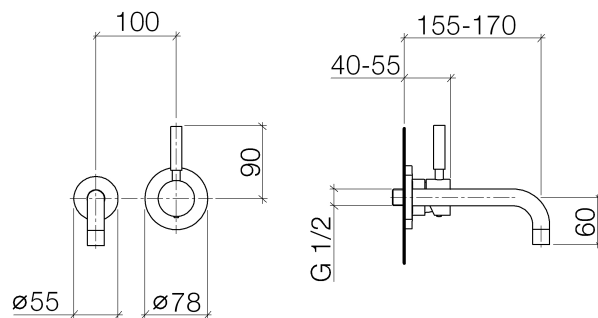
Product specifications

Exposed trim parts only, rough to be ordered separately

- **6 3/4" projection**
- Fixed spout 1/2"
- M 18 x 1 aerator – female thread
- Water flow rate limited to max. 1.5 gpm
- low lead compliant
- Diameter flange for mixer 3 1/8"
- 2 1/8" diameter flange for spout

[ADA]

Mixer can be positioned above, to the right or to the left of spout.





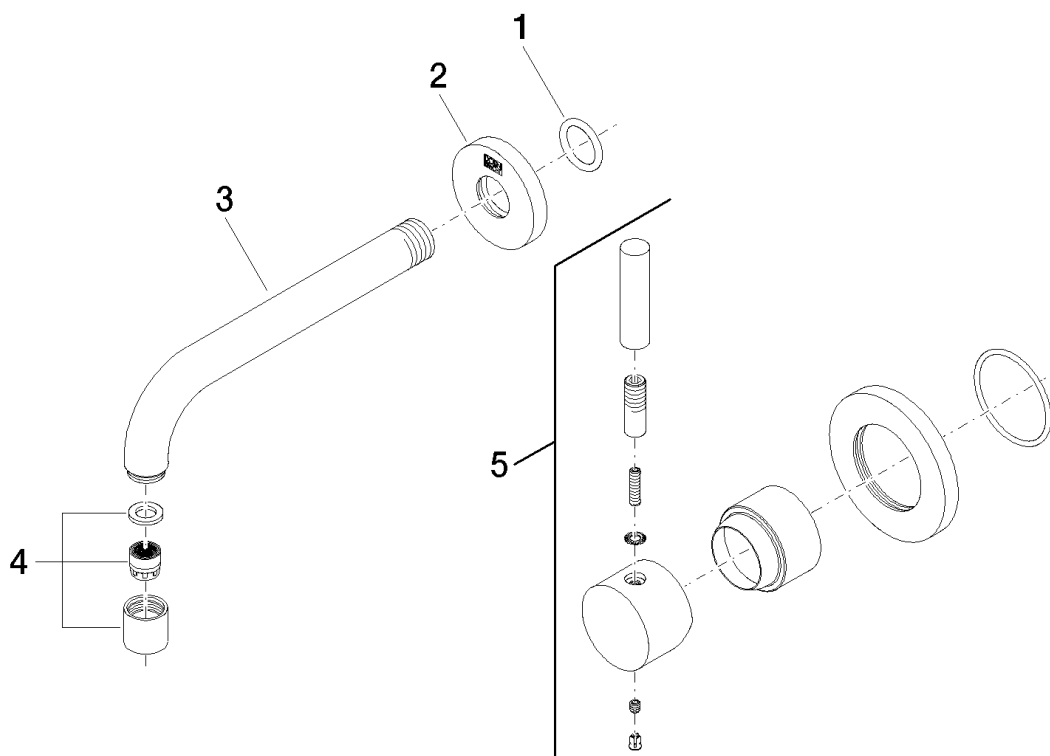
Surfaces

- chrome 36810625-000010
- chrome 36810625-000010
- matt platinum 36810625-060010
- matt platinum 36810625-060010

Accessories required

- Rough, handle on the right, spout on the left ; 35806970
- Rough, handle on the right, spout on the left ; 35806970
- Rough, handle on the left, spout on the right; 35807970
- Rough, handle on the left, spout on the right; 35807970
- Rough, mixer above; 35808970
- Rough, mixer above; 35808970

Exploded assembly drawing





Order quantity

No.	Article number	Name	Installation quantity
1	09141002690	seal	1
2	092722503ff	rosette	1
3	04282211510ff	spout	1
4	90230101901ff	aerator	1
5	36008625ff	connection	1

