

SPECIFICATIONS

EASTHAM™ TRIM ONLY FOR SINGLE HANDLE PRESSURE BALANCE VALVE FAUCET

Model

D510415T

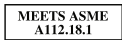
Description

- Includes handle, valve escutcheon & screws
- Use with valve: D112000BT (w/stops) or D115000BT (w/o stops)

Standards



- UPC/cUPC
- Energy Policy Act of 1992



- ASME A112.18.1



- ADA Accessibility Guidelines for Buildings and Facilities - 4.27.4 Controls and Mechanisms

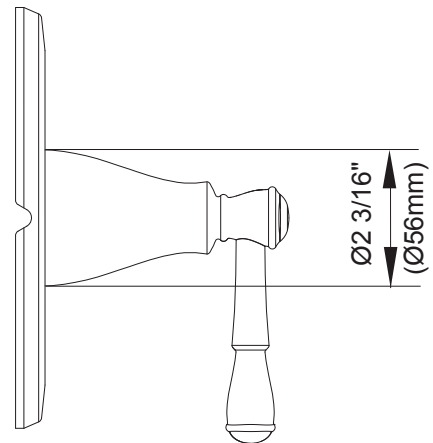
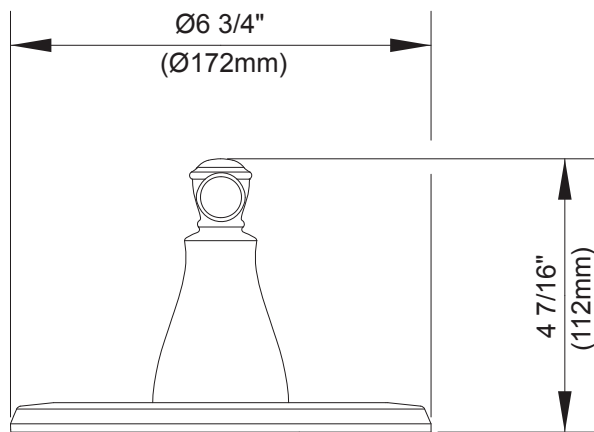


Finishes Available

- Chrome
- Other: Refer to Price List for additional finish

Warranty

Danze products are covered by a manufacturer's limited "lifetime" warranty for manufacturing defects.



Submittal Information:

Job Name: _____

Location: _____

Contractor: _____

Contact #: _____