

JULIEN

Donnez vie à vos idées.
Make your ideas real.

SPECIFICATIONS

Category: **Fireclay - Kitchen sink**
Type: **Farmhouse single bowl**
Product Name: **Nantucket - Large**

MODEL: **080 101 - White**
080 111 - Biscuit

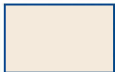
FEATURES:

- Handcrafted in England
 - Made from heavy fireclay – Solid throughout
 - Up to 40 hours of gradual drying period
 - Fired at more than 1200°C – 2200°F
 - 30 mm (1-1/8") material thickness *
 - 10 mm (3/8") corner radius*
 - Center 3-1/2" drain placement
 - Scratch and chip resistant
 - Waste disposal unit compatible
- (* dimensions may vary by +/- 2%)

AVAILABLE COLOURS:

White

Biscuit



SINK DIMENSIONS:

Model	Overall	Bowl (s)	Depth	Recommended Cabinet size
080 101 080 111	30 x 18	27 5/8 x 15 5/8	10	30

WARRANTY:

Julien inc. offers a 1-YEAR LIMITED WARRANTY against manufacturing defects and a 10-YEAR LIMITED WARRANTY on fading/staining issues on its fireclay sinks. For further details on our product warranty, please refer to our catalog or Web site.

PRODUCT SPECIFICATIONS:

Sink to be farmhouse single bowl. Sink to be manufactured from heavy fireclay - solid throughout. Sink to be fired at more than 1200C - 2200F. Sink to feature 10mm (1-5/8") corner radiuses & 30mm thickness material. Sink to feature center drain placement. Sink to be compatible with waste disposal units. Sink overall dimensions* to be 30" left-to-right and 18" front-to-back. Bowl dimensions* to be 27 5/8" left-to-right and 15 5/8" front-to-back. Sink to be Julien Fireclay collection with bowl depth of 10". (* dimensions may vary by +/- 2%)

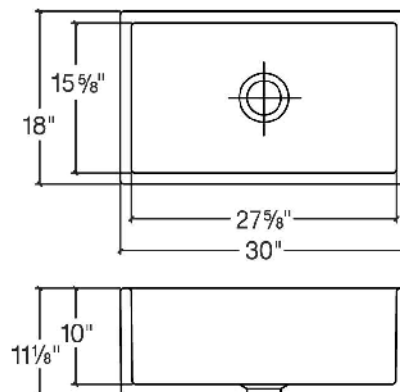
PROJECT/JOB INFORMATION:

Project/Job name: _____

Specifier: _____

Contractor: _____

- All dimensions are in inches
- Cutout template supplied with every sink and available on our web site



This specification is subject to change without notice. Julien assumes no responsibility for the use of superseded or voided specifications.