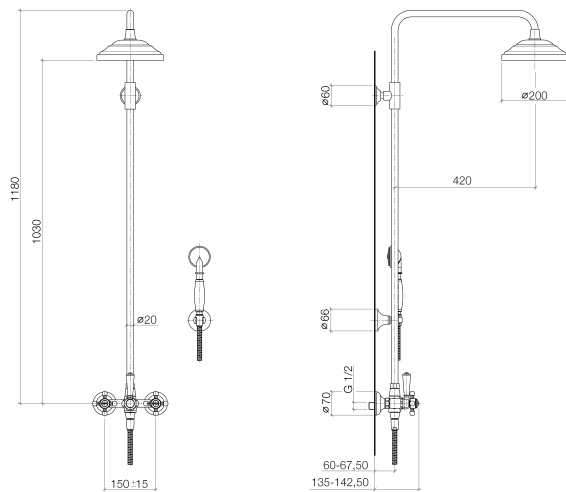




**Product specifications**

- **Projection 16 1/2"**
- Back flow preventer in shower outlet
- 1/2" ceramic disc cartridge
- Shower with fixed riser/hand shower diverter
- Hand shower with back flow preventer
- 7 7/8" diameter shower head with descaling system
- 2 5/8" diameter flanges
- Flange mixer  $\varnothing$  2 3/4"
- Flange wall attachment  $\varnothing$  2 3/8"
- 49 1/4" shower hose with rotating hose connector
- Required adaptors (2 x 35 080 970-90 0010) to be ordered separately
- Height from center of faucet to top of shower arm 46 1/2"
- Height from center of faucet to bottom of rainhead 40 1/8"
- Center to center 5 7/8"
- 2x Wall support bracket: height can be adjusted
- Rain shower water flow rate limited to max. 2 gpm





- Hand shower water flow rate limited to max. 2 gpm

Internal backflow preventer.

**NOTE: Local building codes may require the use of an anti-scald device. Please refer to remote pressure balanced valve (35 910 970 90)**

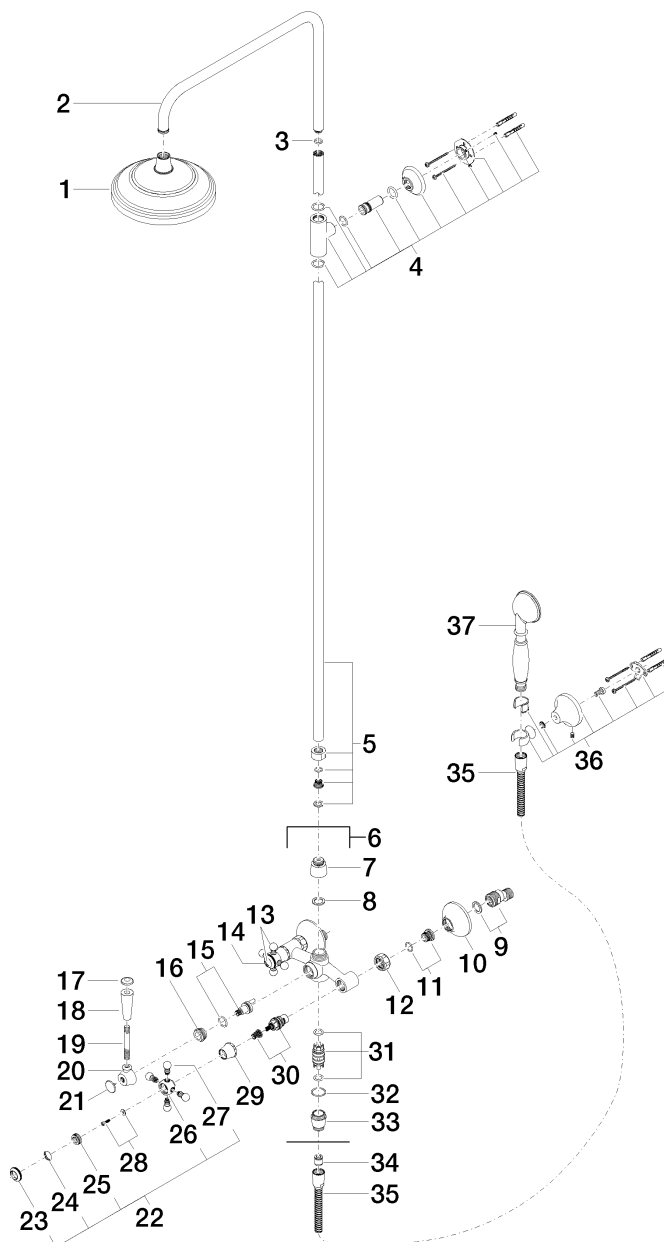
A slide unit for the hand shower can be fitted to the riser on request.

Extension pieces available. Refer to page 12110970

### Surfaces

- chrome 26601360-00
- chrome 26601360-00
- matt platinum 26601360-06
- matt platinum 26601360-06
- platinum 26601360-08
- platinum 26601360-08
- brass 26601360-09
- brass 26601360-09

**Exploded assembly drawing**



**Order quantity**

<b>No.</b>	<b>Article number</b>	<b>Name</b>	<b>Installation quantity</b>
1	28535977ff	shower	1
2	04282210100ff	spout	1
3	09141001190	seal	1
4	90171103300ff	holder	1
5	90282209600ff	pipe	1
6	04171000100ff	casing ( completely )	1
7	092403089ff	nipple	1
8	09142001090	seal	1
9	0411040300090	connection	2
10	092739010ff	rosette	2
11	0429050140090	nipple	2
12	092330010ff	nut	2
13	04203600207ff	handle ( hot )	1
14	09260101190	accessories	1
15	0415010010090	diverter	1
16	09231000790	nut	1
17	093030062ff	screw	1
18	11170370ff	handle	1
19	09282201390	pipe	1
20	091820011ff	base	1
21	093030064ff	screw	1
22	04203600206ff	handle ( cold )	1
23	092036005ff	handle	2
24	09260101090	accessories	1
25	09208300690	handle	2
26	092036002ff	handle	2
27	092036004ff	handle	8
28	0430300290090	fixing set	2
29	092102055ff	cover	2



<b>30</b>	9090031310090	top	2
<b>31</b>	0421100100090	insert	1
<b>32</b>	09141011290	seal	1
<b>33</b>	092403088ff	nipple	1
<b>34</b>	09230104090	back-flow preventer	1
<b>35</b>	28204970ff	hose	1
<b>36</b>	28050410ff	holder	1
<b>37</b>	28002970ff	shower	1

