

ELITE™ LIGHTED MIRROR

Residential Performance Specification



The Elite™ Lighted Mirror has a romantic shape and glow, suspended from the ceiling in a stainless steel frame and providing the opportunity for truly unexpected bathroom and vanity design.

FEATURES

- Elife™-8 Years extended lamp replacement cycle
- Brushed or polished stainless steel frame
- Reverse side is stainless steel
- Natural light color ideal for makeup application
- HardCoat™ anti-corrosion mirror treatment
- Stainless steel construction
- Environmentally sustainable and energy efficient
- Proudly made in the USA
- Patented (US 7,853,414)
- Stainless Steel Hanger
- Welded Construction

LIGHTING

- Low-Mercury T5HO warm fluorescent (US Made)
- CRI 85
- CCT (K) 3000
- Average lamp life of 20,000 hours for Circline lamps
- 50,000 cycle ballast

OPTIONS

- Diamond Clear™ extra white mirror
- Defogger

SAFETY

- Tested to UL/UL-C 1598 including section 16.23 (adhesive support test)
- International Certifications
- Safety backed mirror

THERE'S ONLY ONE ELECTRIC MIRROR™

Electric Mirror is the global leader in lighted mirrors and Mirror TV technology. With unparalleled customer service and amazing innovation, Electric Mirror is the standard of luxury for five-star hotels, upscale commercial projects and designer homes.

ELITE™ LIGHTED MIRROR

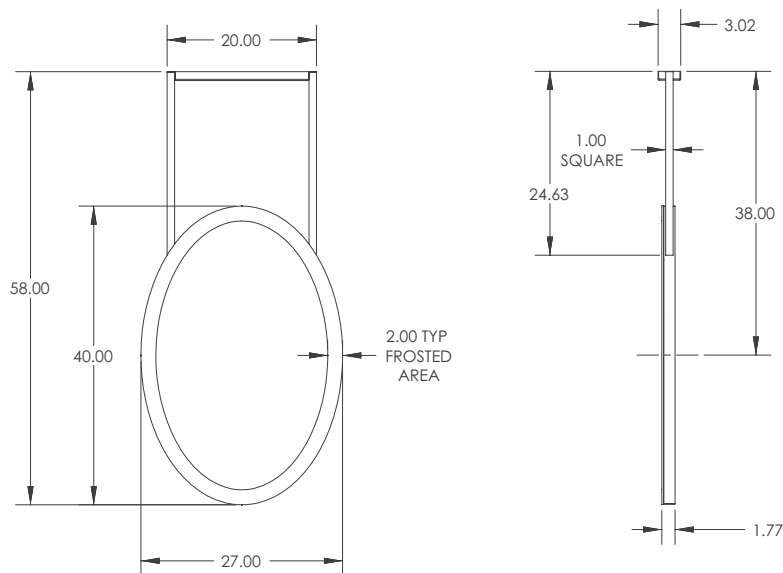
Residential Performance Specification

SPECIFICATION

- Fixture is ceiling mounted. Ceiling must be sufficient in strength to handle weight of the entire unit, approximately 70 lbs.
- Multiple ceiling mounting slots to allow for easy attachment to ceiling stud or reinforced area.
- Power to the unit supplied with MC cable exiting ceiling and entering through chassis knockout.
- Power should be controlled by a light switch.

| MODEL NUMBER | DIMENSIONS | POWER REQUIREMENTS | LAMPING |
|----------------------|---|--------------------------------------|----------------------|
| ELI58-27.00x40.00 | 27" W x 40" H x 1.78" D: 58" H 686mm x 1,016mm | 110 - 277 VAC, 1.00 - .39 Amps, 110W | 2 x Circline T5, 55W |
| ELI58-27.00x40.00-PS | 27" W x 40" H x 1.78" D: 58" H 686mm x 1,016mm | 110 - 277 VAC, 1.00 - .39 Amps, 110W | 2 x Circline T5, 55W |

*Standard finish is brushed stainless steel, polished steel also available (PS)



PROPRIETARY AND CONFIDENTIAL: The information contained in this specification is the sole property of Electric Mirror®. Any reproduction in part or in whole without written permission from Electric Mirror® is prohibited.

© 2012 ELECTRIC MIRROR®