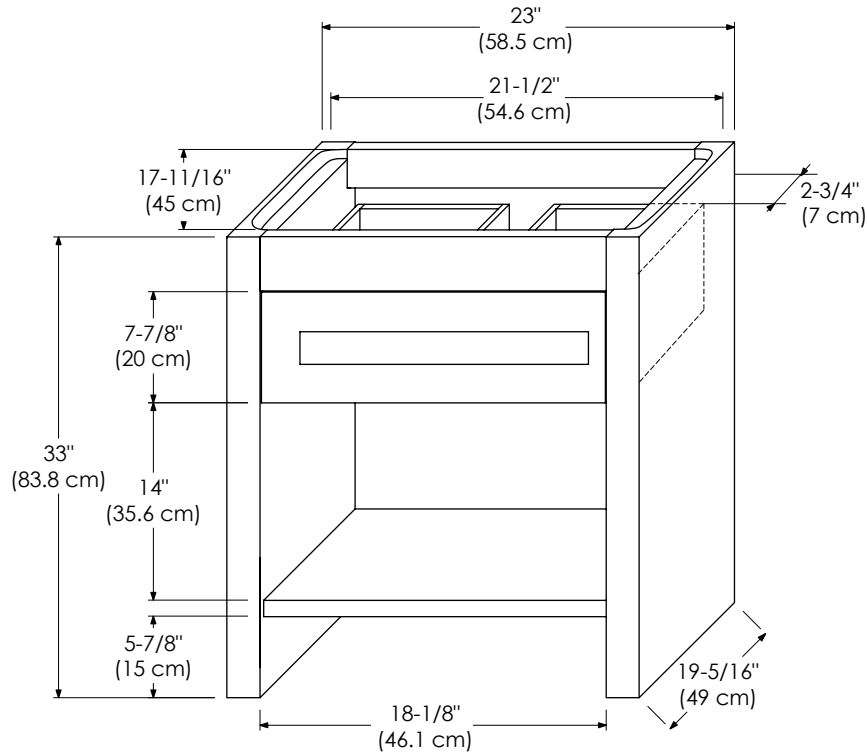


- Frosted Glass front
- Soft Close and Full Extension drawer with Dovetail Construction
- Undermount glides
- Extend design with Optional 12" & 18" Drawer Bridge, 15" Shelf Bridge and 35" max Bridge Panel
- Optional Drawer Organizer
- Matching Mirror and Medicine Cabinet

All Ronbow cabinets are made of solid hardwood or hardwood plywood and meet strict CARB Standards. No particle Board or Micro-Density Fiberboard (MDF) are used.

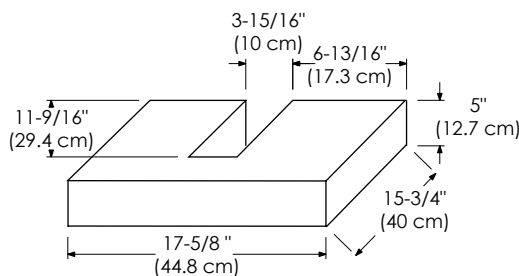
Available finishes:  
BLACK B02

Available tops:  
CERAMIC SINKTOP  
GLASS SINKTOP  
TECHSTONE™ TOP  
WIDEAPPEAL™ TOP

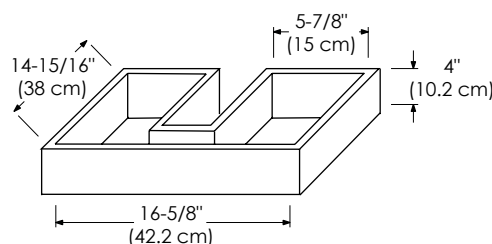


**DRAWER**

Exterior dimensions



Inner dimensions



**CUTOUT FOR P-TRAP**

