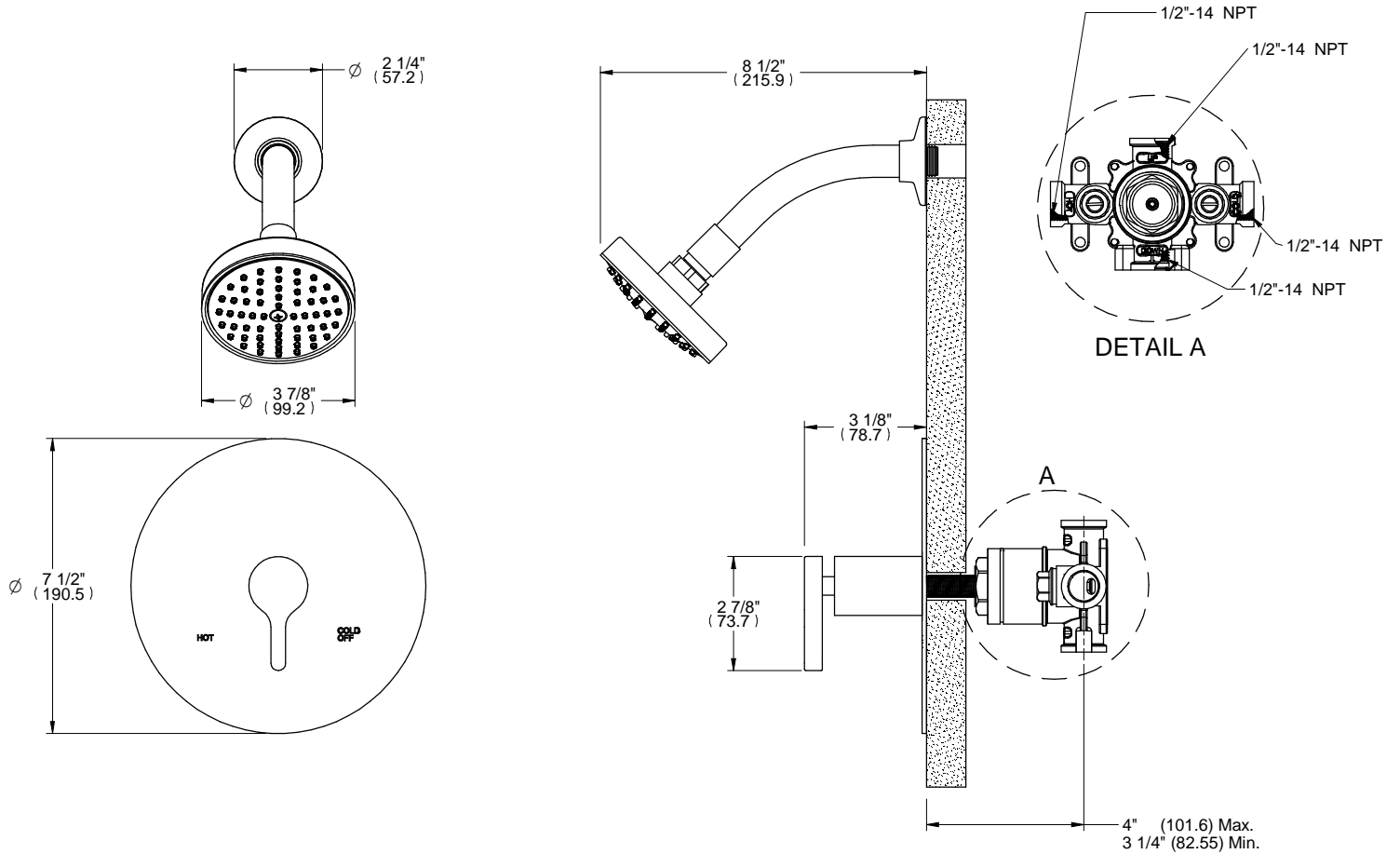




L1



ALTMANS RESERVES THE RIGHT TO MODIFY AND CHANGE SPECIFICATIONS AT ANY TIME. PLEASE VERIFY DIMENSIONS PRIOR TO INSTALLATION.

Features

- Available in Polished Chrome & Xsn
- Solid Brass Construction
- Rough & Trim Included
- 5.8 GPM a 50 PSI

Through-Hole Specifications

DIMENSIONS SHOWN TO NEAREST 1/16"