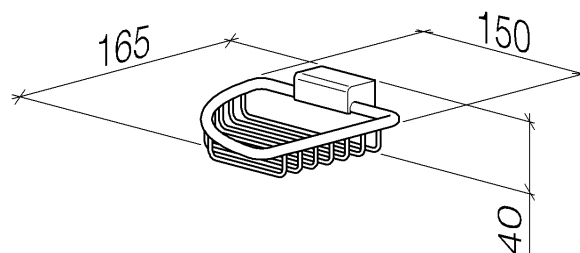


Product specifications

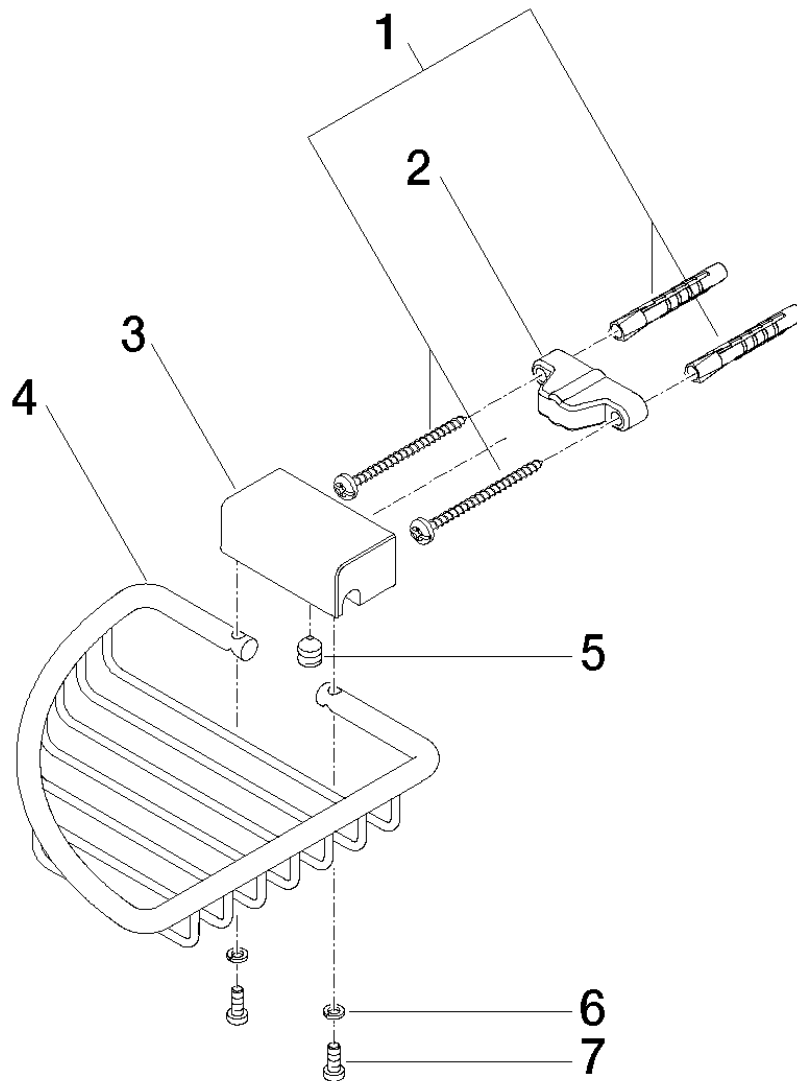
- Width 5 7/8"
- Height 1 5/8"
- 6 1/2" projection



Surfaces

- | | |
|-----------------|-------------|
| • chrome | 83281530-00 |
| • chrome | 83281530-00 |
| • matt platinum | 83281530-06 |
| • matt platinum | 83281530-06 |
| • platinum | 83281530-08 |
| • platinum | 83281530-08 |

Exploded assembly drawing



Order quantity

No.	Article number	Name	Installation quantity
1	0530310250090	fixing set	1
2	09172003090	holder	1
3	081730501ff	holder	1
4	081890905ff	basket	1
5	09311100290	pin	1
6	09301102990	disc	2
7	09303005490	screw	2