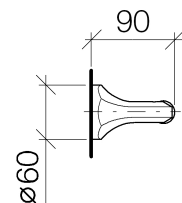
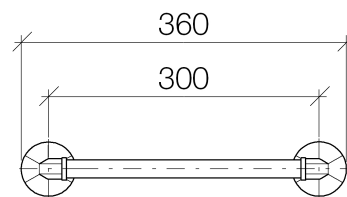




### Product specifications

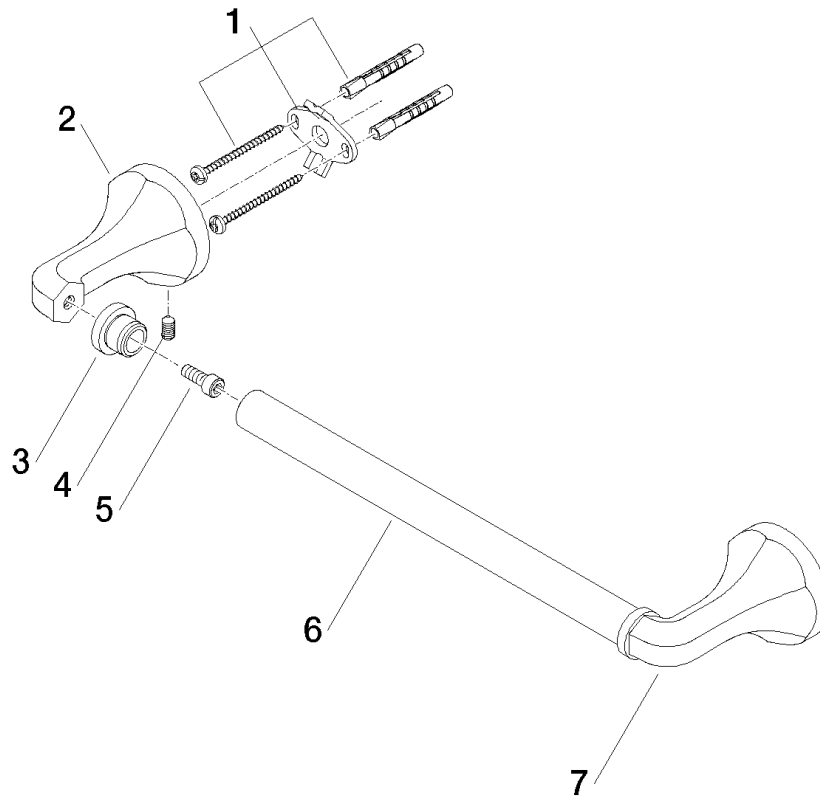
- Center to center 11 3/4"
- Flange  $\varnothing$  2 3/8"
- 3 1/2" projection



### Surfaces

- |                 |             |
|-----------------|-------------|
| • chrome        | 83030360-00 |
| • chrome        | 83030360-00 |
| • matt platinum | 83030360-06 |
| • matt platinum | 83030360-06 |
| • platinum      | 83030360-08 |
| • platinum      | 83030360-08 |
| • brass         | 83030360-09 |
| • brass         | 83030360-09 |

**Exploded assembly drawing**



**Order quantity**

<b>No.</b>	<b>Article number</b>	<b>Name</b>	<b>Installation quantity</b>
<b>1</b>	0517207080090	fixing set	2
<b>2</b>	081736501ff	holder	1
<b>3</b>	083120502ff	cap	2
<b>4</b>	09311114490	pin	2
<b>5</b>	09303005390	screw	2
<b>6</b>	082822538ff	pipe	1
<b>7</b>	081736500ff	holder	1