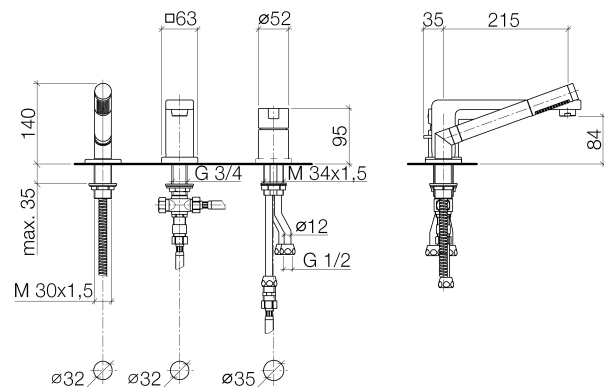




Product specifications

- **8 1/2" projection**
- M 24 x 1 aerator – male thread
- Back flow preventer in shower outlet
- Sleeve for cartridge screw
- 1x 1/2" copper pipe, 6 3/4"
- Automatic diverter
- xSTREAM ceramic disc cartridge
- Hand shower with descaling system and back flow preventer
- Metal shower hose 88 5/8", consisting of 1 pc. 19 5/8" chrome plated metal hose and 1 pc. 68 7/8" flex line
- 3x compression connection 1/2" x 1/2"
- Individual flanges 2 1/2" x 2 1/2"
- Hand shower hole diameter 1 1/4"
- Hole diameter spout/mixer 1 3/8"
- 2x 1/2" copper pipe (cold/hot), 3 7/8"
- 20° x 1/2" x 1/2" angle
- Shower hose guide





- Hand shower water flow rate limited to max. 2.38

gpm

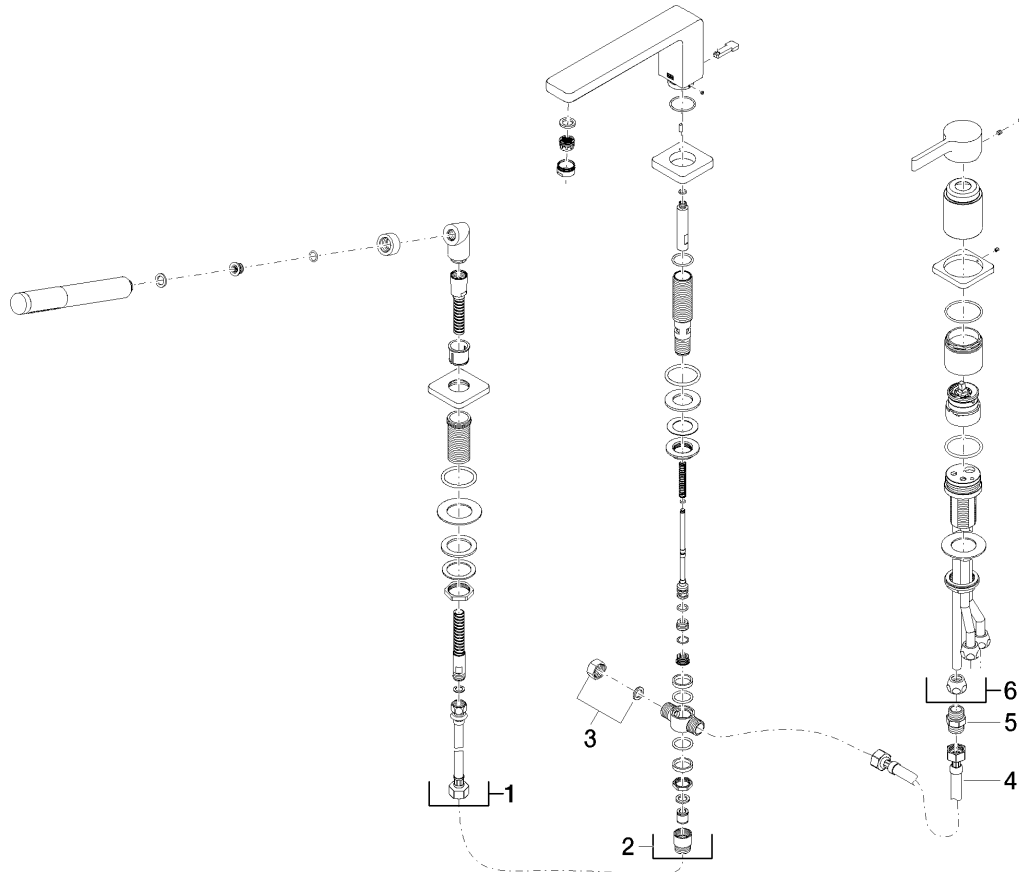
...

Internal backflow preventer.

Surfaces

- chrome 27312710-00
- chrome 27312710-00
- matt platinum 27312710-06
- matt platinum 27312710-06

Exploded assembly drawing



Order quantity

No.	Article number	Name	Installation quantity
1	27702710ff	shower set	1
2	13512710ff	spout	1
3	0421020060092	cap	1
4	1250297090	hose	1
5	0924031681090	nipple	1
6	29200710ff	connection	1

LULU Three-hole single-lever tub mixer with hand shower set for deck-mounted tub installation

Article number: 27312710

